

Spare Parts List

Katalog náhradních dílů pro
průmyslový šicí stroj

GARUDAN®

GF-138 Serie L100

GF-238 Serie L100



ANITA B, s.r.o.

Hliníky 2068

680 01 Boskovice

Czech Republic

tel: +420 516454774, 516453496

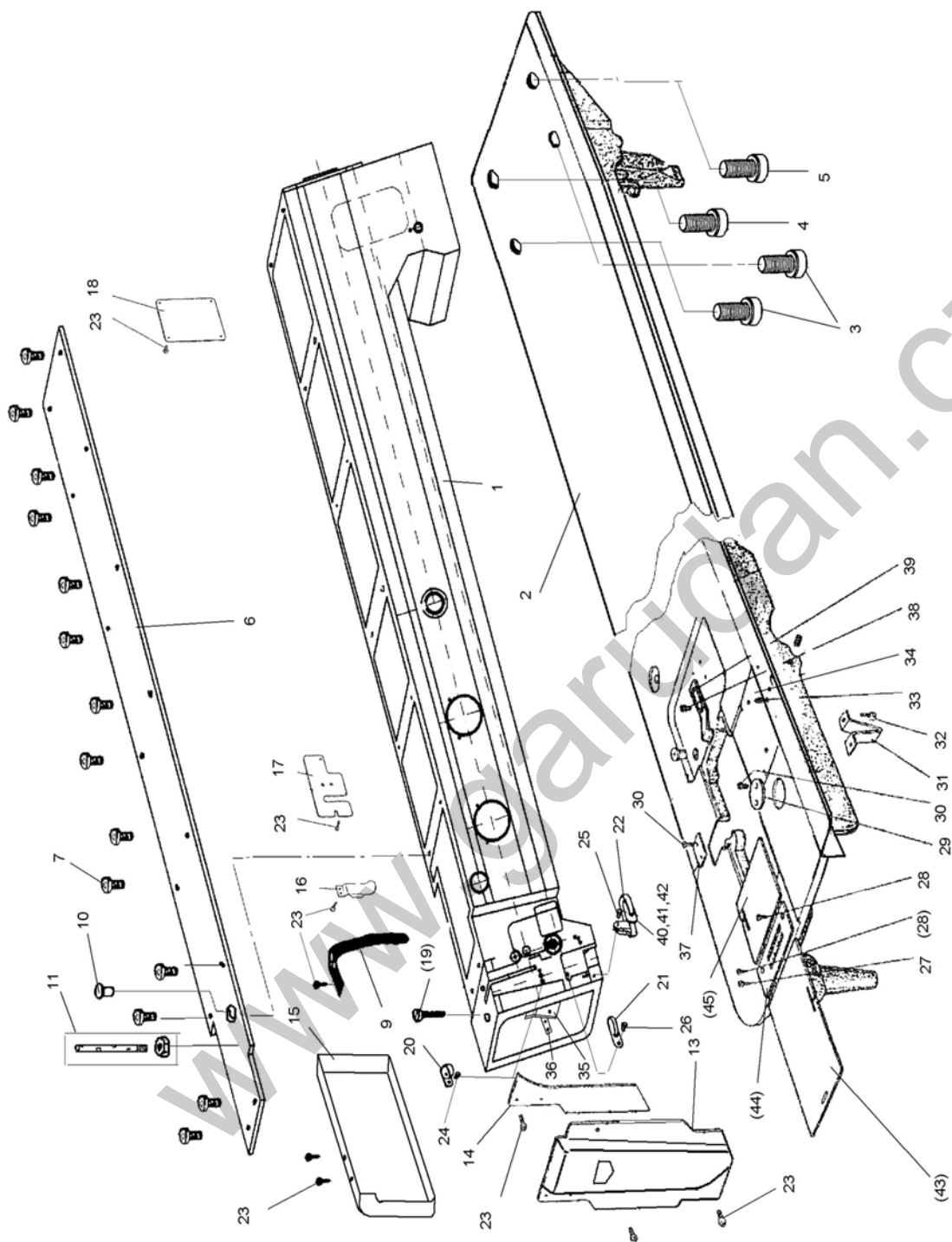
fax: +420 516452751

e-mail: info@anita.cz

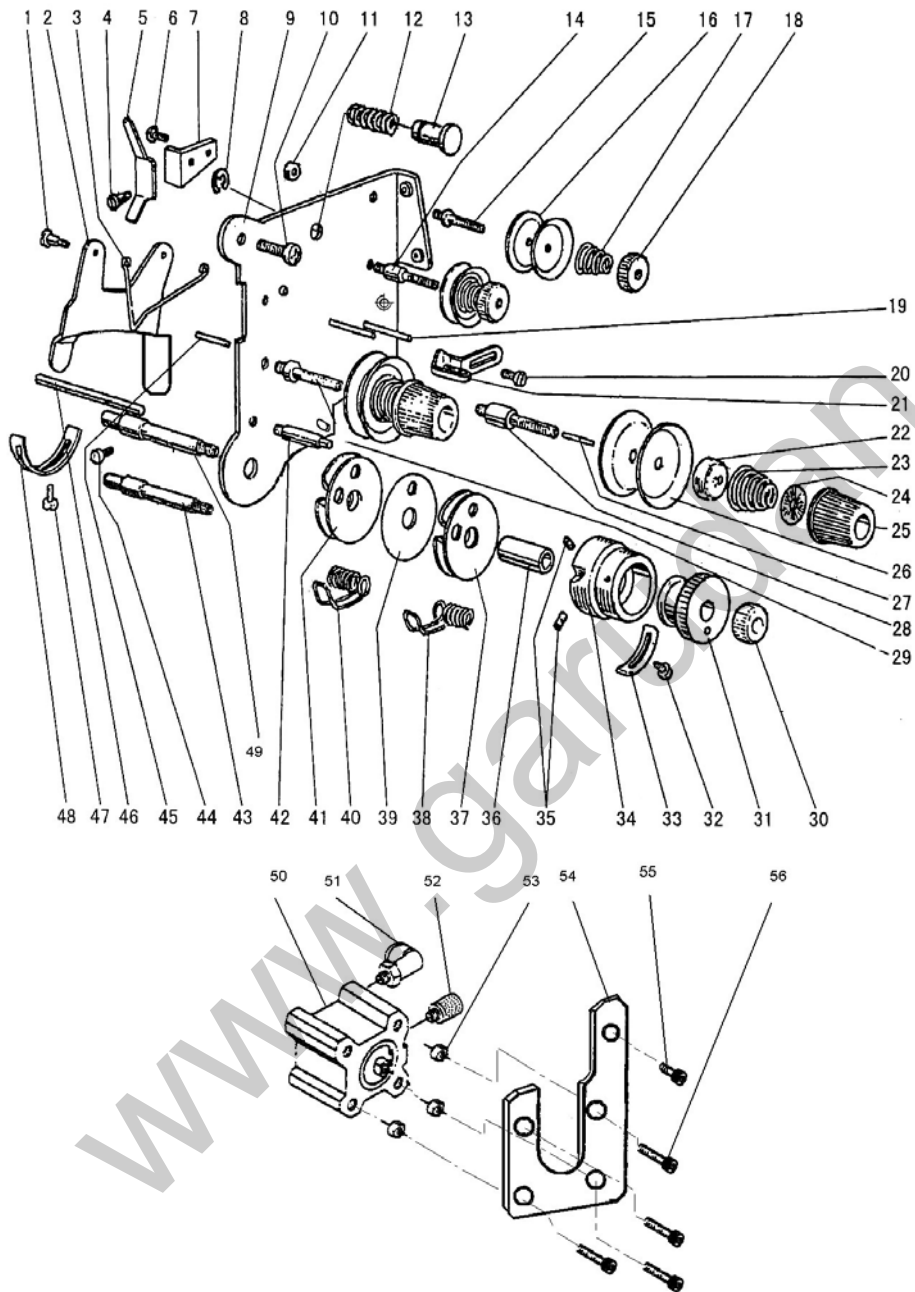
www.garudan.cz

Spare Parts Lists

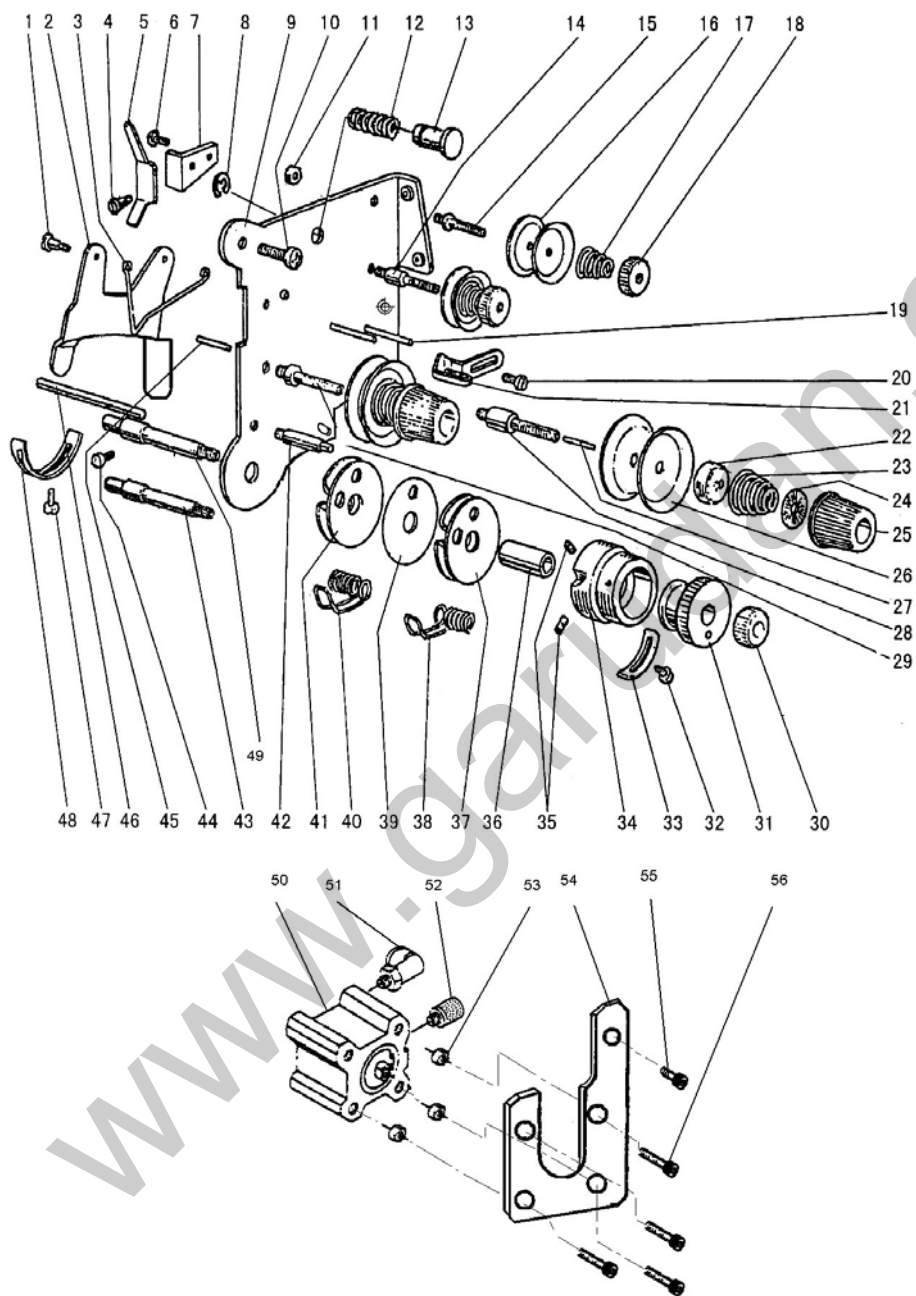
A	Arm, Bed Plate and it's Accessories.....	4,5
B	Thread Tension Mechanism.....	6-9
C	Arm Shaft Mechanism.....	10,11
D	Upper Shaft and Presser Foot Mechanism.....	12-15
E	Needle Bar and Thread Take-up Mechanism.....	16-19
F	Stitch Regulator Mechanism.....	20,21
G	Lower Shaft and Feed Rock Shaft Mechanism.....	22-25
H	Hook Saddle Mechanism.....	26,27
I	Upper Feed Rock Shaft Mechanism.....	28-29
J	Knife Mechanism.....	30-33
K	Backtacking Mechanism and Detector Mechanism.....	34,35
L	Oil Lubrication Mechanism.....	36,37
M	Accessories.....	38,39
N	Bobbin Winder and Hand Pulley Parts.....	40,41
O	Pneumatics.....	42,43
P	Advanced Alternating Presser Foot Mechanism.....	44,45
-	Straightening Presser Foot.....	46
-	Gauge Parts List.....	47



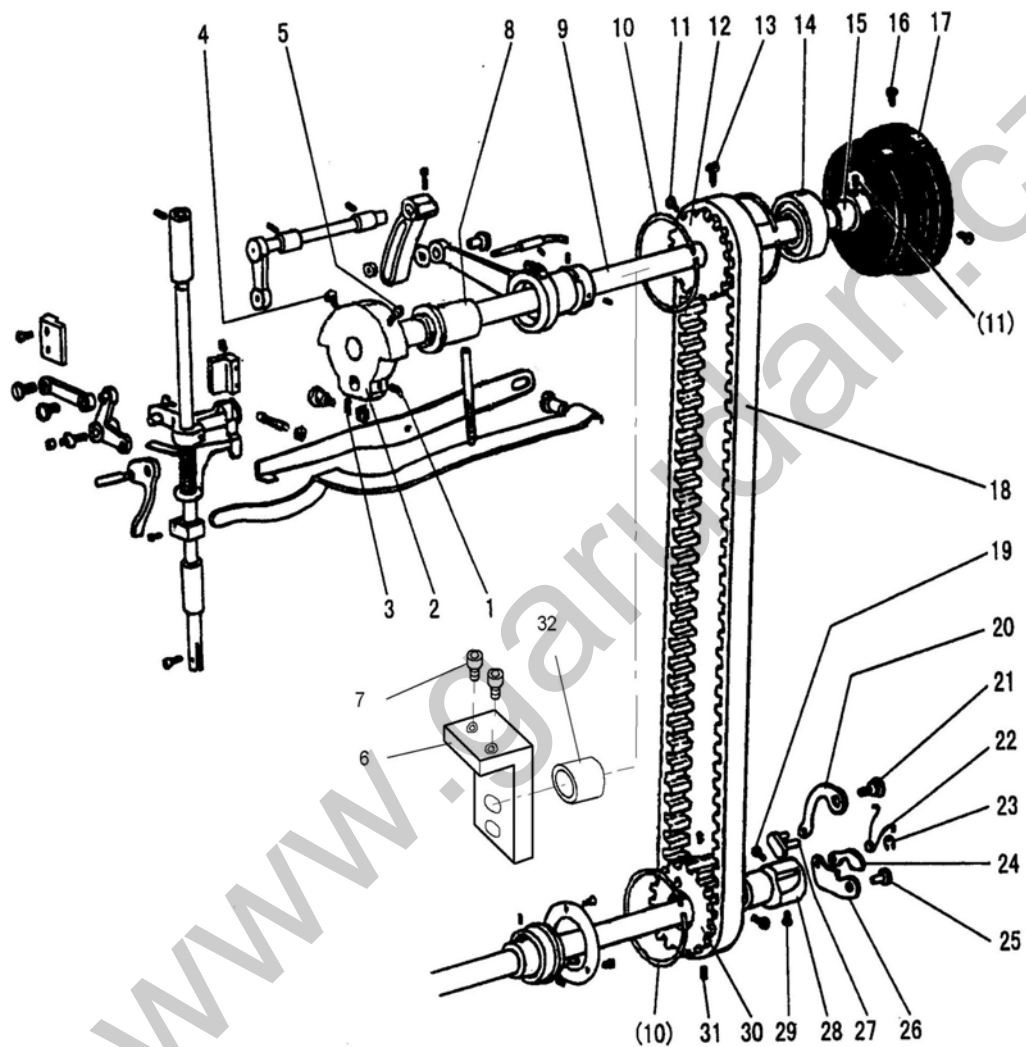
Ref. No.	Part No.	Name of Part	Q'ty	
			GF/138	GF/238
A 1	GF/ L100-01B	Long Arm	1	1
A 2	GF/ L100-02A	Long Bed Plate		1
A 2	GF/ L100-02B	Long Bed Plate	1	
A 3	GF/ M12X30	Screw (M12x40 DIN 912)	2	2
A 4	GF/ M12X50	Screw(M12x50 DIN 912)	1	1
A 5	GF/ M12x80	Screw (M12x80 DIN 912))	1	1
A 6	GF/ L100-03	Arm Cover	1	1
A 7	GF/ M6x16	Screw (M6x16 DIN 912)	14	14
A 9	GF/ H4717B8001	Threrd Take-up Cover	1	1
A 10	GF/ H4715B8001	Rubber Plug	1	1
A 11	GP/ 119026	Spool Pin	1	1
A 13	GF/ 138	Face Plate	1	1
A 14	GF/ H4730B8001	Guide Mounting Plate	1	1
A 15	GF/ L100-40	Cover of Alternating Feed	1	1
A 16	GF/ H4716B8001	Oil Guide Plate	1	1
A 17	GF/ H4718B8001	Side Cover	1	1
A 18	GF/ H4919B8001	Side Cover right	1	1
A 19	GF/ L100-11	Screw (see table E ig No.3)	1	1
A 20	GF/ H2400B2070	Thread Guide [upper]	1	1
A 21	GF/ H4726B8001	Thread Guide [middle]	1	1
A 22	GF/ H4725B8001	Thred Guide	1	1
A 23	GF/ M4x8	Screw [DIN 85A, ISO 1362]	14	14
A 24	GF/ H2400B2080	Screw	2	2
A 25	GF/ H3200B2100	Screw	1	1
A 26	GF/ H3000D2160	Screw	1	1
A 27	GF/ H3200B2120	Screw		1
A 28	GF/ HA300B2190	Screw	2	
A 29	GF/ H4915B8001	Cover		1
A 30	GF/ H4914B8001	Screw	2	4
A 31	GF/ H4913B8001	Supporter	1	1
A 32	GF/ H4912B8001	Screw	2	2
A 33	GF/ H3200B2170	Screw		1
A 34	GF/ H3219B0067	Slide Plate Complete		1
A 35	GF/ H3200B2060	Oill Guard	1	1
A 36	GF/ H2400B2060	Plate for Oil Guard	1	1
A 37	GF/ H4911B8001	Cover		1
A 38	GF/ H4751B8001	Tension Releasing Plate	1	
A 39	GF/ H4742E8001	Screw	2	
A 40	GF/ H4722B8001	Screw	1	1
A 41	GF/ H4723B8001	Spring	1	1
A 42	GF/ H4724B8001	Plate	1	1
A 43	GF/	Slide Plate L(see Gauge Parts List)		
A 44	GF/	Needle Plate(see Gauge Parts List)		
A 45	GF/	Slide Plate P(see Gauge Parts List)		



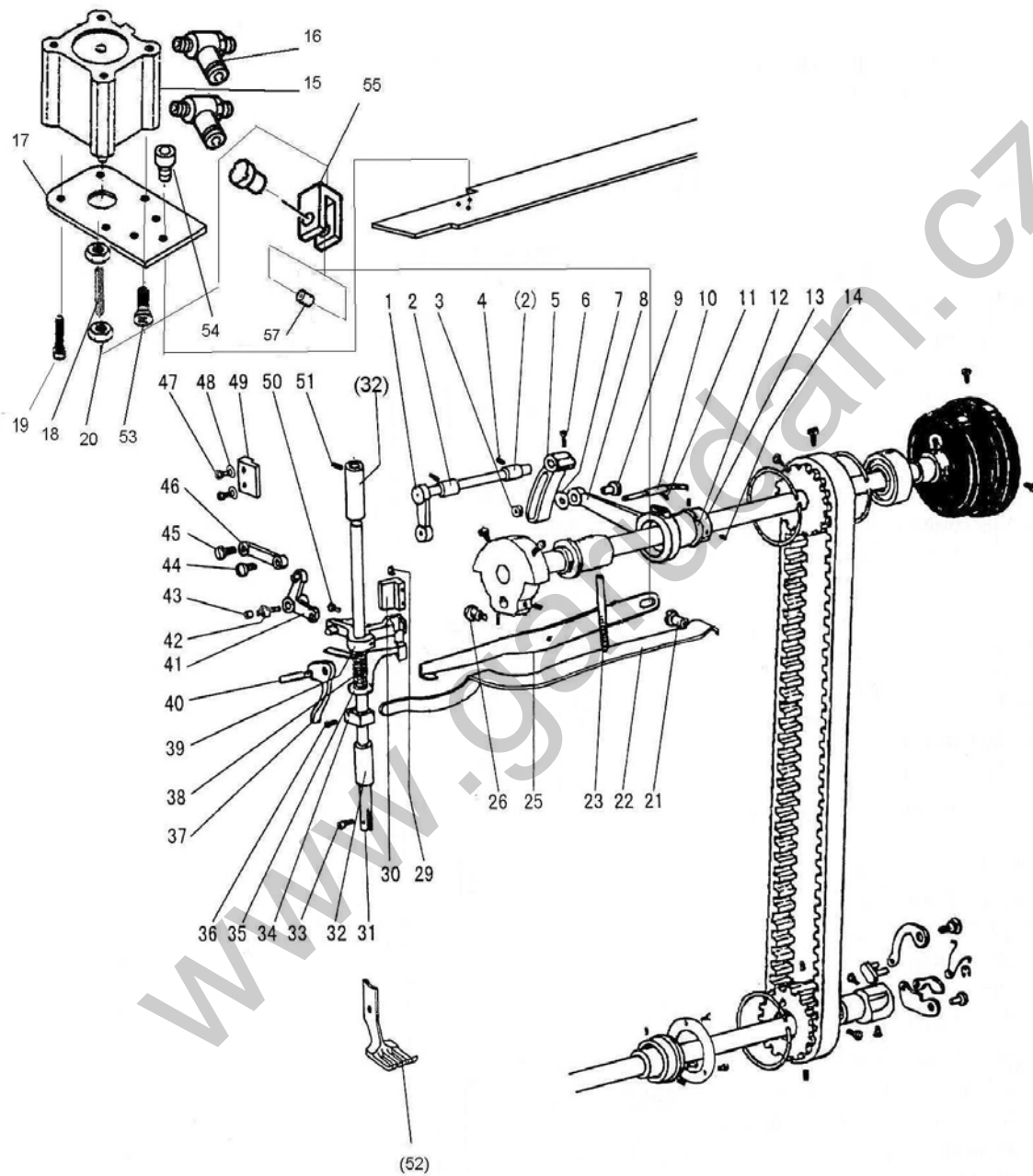
Ref. No.	Part No.	Name of Part	Q'ty	
			GF/138	GF/238
B 1	GF/ H3221B6811	Screw	2	2
B 2	GF/ L100- 16P	Tension Releasing Plate	1	1
B 3	GF/ H3221B6812	Tension Releasing Spring	1	1
B 4	GF/ H4705C8001	Screw	1	1
B 5	GF/ H4706C8001	Lever	1	1
B 6	GF/ HA7311C306	Screw	1	1
B 7	GF/ H4707C8001	Mounting Plate	1	1
B 8	GF/ H007013050	Stop Ring	1	1
B 9	GF/ L100- 16	Mounting Plate (modification H3221B6820)	1	1
B 10	GF/ M4x15	Screw (M4x15 DIN 85A)	1	1
B 11	GF/ H3221B6810	Nut	1	1
B 12	GF/ H4708C8001	Spring	1	1
B 13	GF/ H4709C8001	Push Button	1	1
B 14	GF/ H3221B0685	Thread Tension Stud	1	1
B 15	GF/ H3221B0683	Thread Tension Stud	1	1
B 16	GF/ HA112B0693	Thread tension Disk	2	4
B 17	GF/ H3221B0384	Thread Tension Spring	1	2
B 18	GF/ HA710B0671	Thumb Nut	1	2
B 19	GF/ H3221B0682	Pin	2	3
B 20	GF/ HA106B0676	Screw	1	1
B 21	GF/ H3306B0661	Thread Guide	1	1
B 22	GF/ HA310B0702	Thred Tension Releasing Plate	1	2
B 23	GF/ H4710C8001	Thread Tension Spring	1	2
B 24	GF/ HA115B7010	Thumb Nut Revolution Stopper	1	2
B 25	GF/ HA310B0701	Thumb Nut Compete	1	2
B 26	GF/ HA310B0705	Thread Tension Disk	2	4
B 27	GF/ H3221B6816	Pin		1
B 28	GF/ H3221B0689	Thread Tension Stud		1
B 29	GF/ H3221B0686	Thread Tension Stud	1	1
B 30	GF/ H32481B721	Thumb Nut	1	1
B 31	GF/ H32481B621	Také-up Spring Guide		1
B 32	GF/ H32481BC21	Screw		1
B 33	GF/ H32481BB21	Stopper		1
B 34	GF/ H32481B921	Thread Tension Post		1
B 35	GF/ H32481B521	Screw		2
B 36	GF/ H32481B821	Bushing		1
B 37	GF/ H32481BF21	Plate Complete		1
B 38	GF/ H4712C8001	Thred Také-up Spring		1
B 39	GF/ H32481BE21	Plate		1
B 40	GF/ H4713C8001	Thread Také-up Spring	1	1
B 41	GF/ H32481BD21	Plate Complete	1	1
B 42	GF/ H4804C8001	Screw	1	
B 42	GF/ H32481B421	Thread Tension Stud		1
B 43	GF/ H4805C8001	Thread Tension Stud	1	



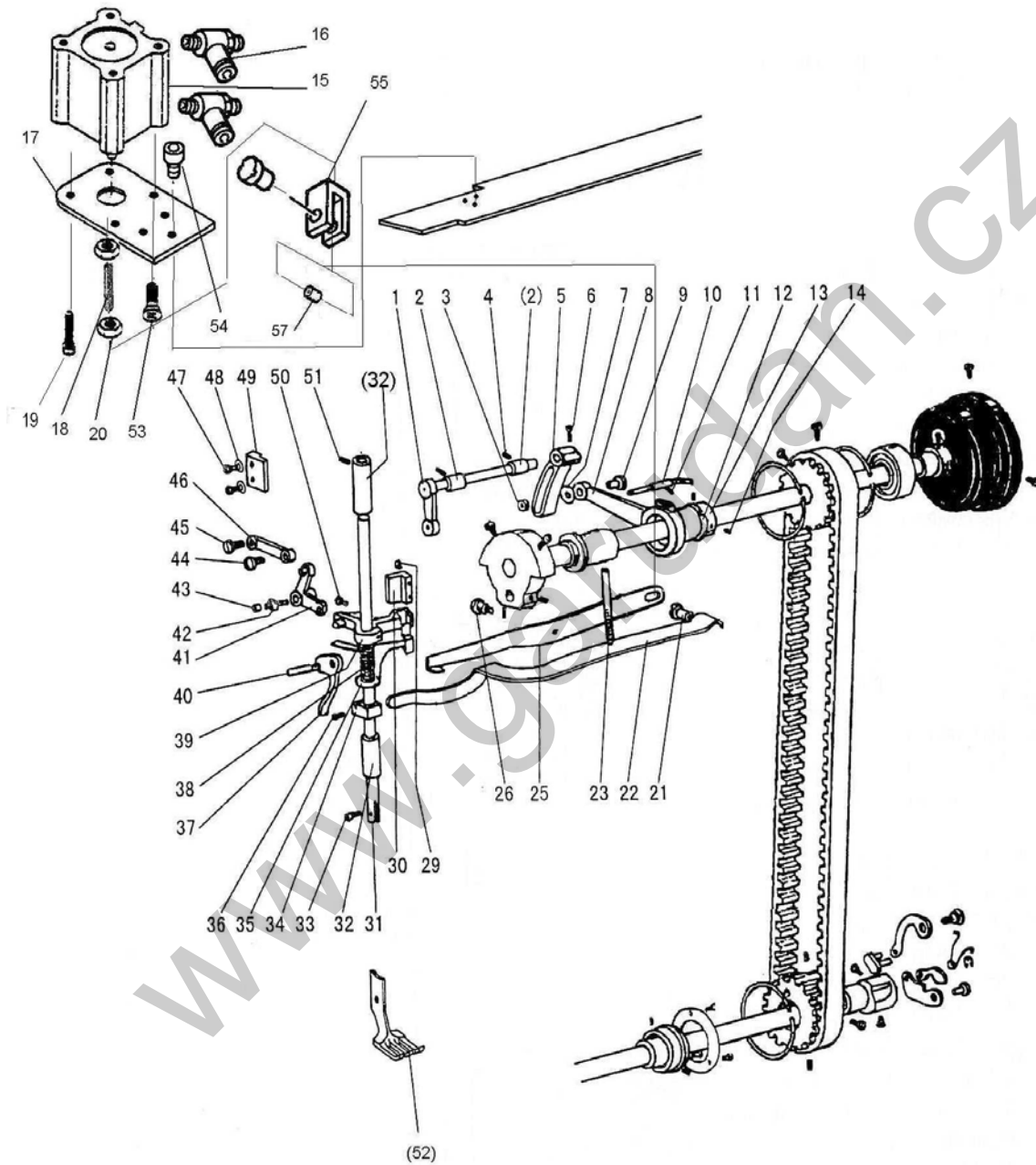
Ref. No.	Part No.	Name of Part	Q'ty	
			GF/138	GF/238
B 44	GF/ H3230K0751	Screw	1	1
B 45	GF/ H3221B6817	Pin	1	1
B 46	GF/ H3221B6818	Tension Releasing Pin	1	
B 46	GF/ H4916B8001	Tension Releasing Pin		1
B 47	GF/ H3200B2100	Screw	1	1
B 48	GF/ H3221B6819	Stopper	1	1
B 49	GF/ H32481B121	Thread Tension Stud		1
B 50	GF/ CQ2B12-5D	Air Cylinder SMC	1	1
B 51	GF/ KQ2L04-M5	Fitting SMC	1	1
B 52	GF/ AN120-M5	Silencer SMC	1	1
B 53	GF/ L100- 16K	Distance Bushing	3	3
B 54	GF/ L100- 16D	Bracket	1	1
B 55	GF/ M4x5	Screw (M4x5 DIN 912,BN 272)	1	1
B 56	GF/ M4x20	Screw (M4x20 DIN 912,BN 272)	4	4



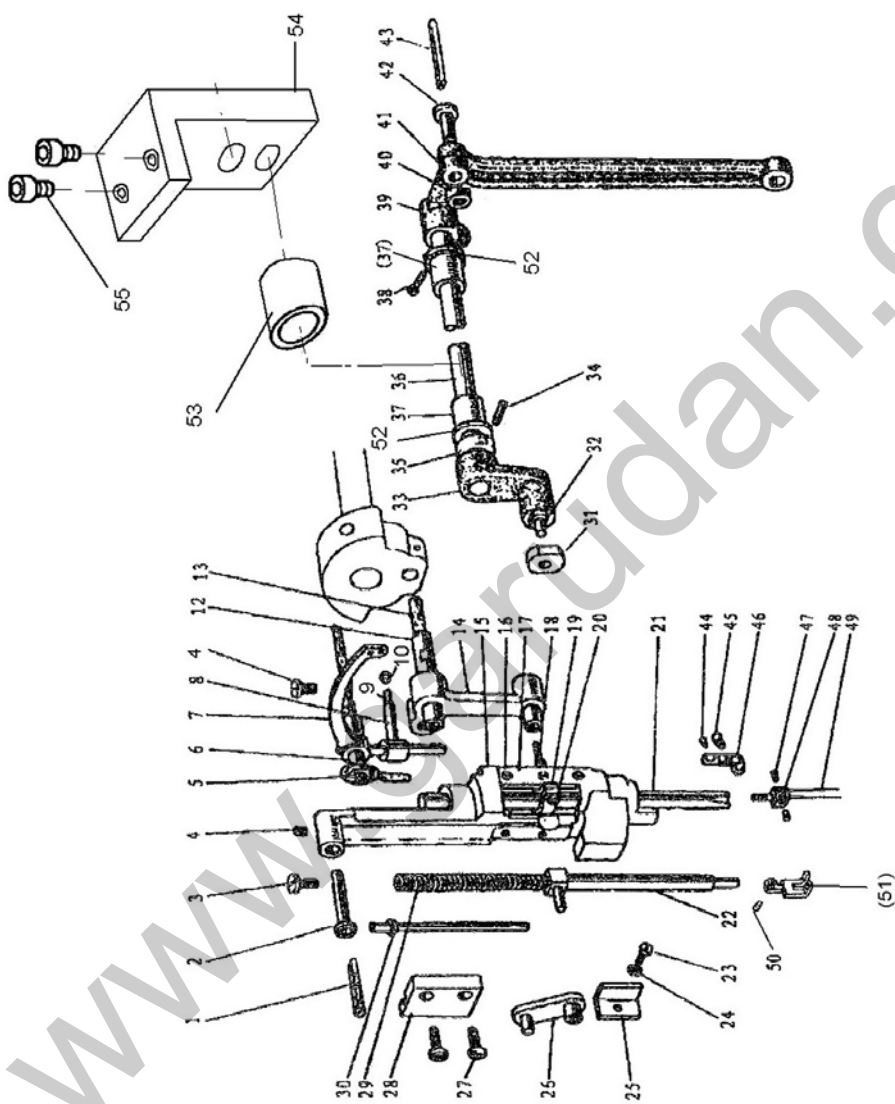
Ref. No.	Part No.	Name of Part	Q'ty	
			GF/138	GF/238
C 1	GF/ HA307C0662	Set Screw	1	1
C 2	GF/ H4706D8001	Crank	1	1
C 3	GF/ HA105D0662	Long Bed Plate	1	1
C 4	GF/ HA100C2060	Set Screw	1	1
C 5	GF/ HA100C2070	Screw	1	1
C 6	GF/ L100-24	Bracket	2	2
C 7	GF/ M5x12	Screw (M5x12 DIN 84A)	4	4
C 8	GF/ NAX 1532Z	Needle Bearing (NAX 1532Z IKO)	1	1
C 9	GF/ L100-05	Arm Shaft	1	1
C 10	GF/ H3205C0661	Spring flange	3	3
C 11	GP/ HA113F0684	Screw	1(2)	1(2)
C 12	GF/ L100-57	Belt pulley (modification H3205C1021)	1	1
C 13	GF/ HA100F2130	Screw	1	1
C 14	GF/ H3205J0662	Bearing	1	1
C 15	GF/ L100-58	Collar (modification H3205J0661)	1	1
C 16	GF/ HA110D0672	Screw	2	2
C 17	GF/ L100-59	Pulley (modification H4711D8001)	1	1
C 18	GF/ H3200C2030	Cog belt	1	1
C 19	GF/ HA104F0654	Screw	1	1
C 20	GF/ H4713D8001	Spring Plate	1	1
C 21	GF/ H4714D8001	Pin	1	1
C 22	GF/ H4716D8001	Twist Spring	1	1
C 23	GF/ H007013025	top Ringh	1	1
C 24	GF/ H4717D8001	Plate	1	1
C 25	GF/ H4718D8001	Pin	1	1
C 26	GF/ H4719D8001	Plate	1	1
C 27	GF/ H4715D8001	Link	1	1
C 28	GF/ H4720D8001	Bushing	1	1
C 29	GF/ H4721D8001	Screw	1	1
C 30	GF/ H4722D8001	Belt Pulley (lower)	1	1
C 31	GF/ H4723D8001	Screw	2	2
C 32	GF/ HK 1512	Needle Bearing (HK 1512) SKF	2	2



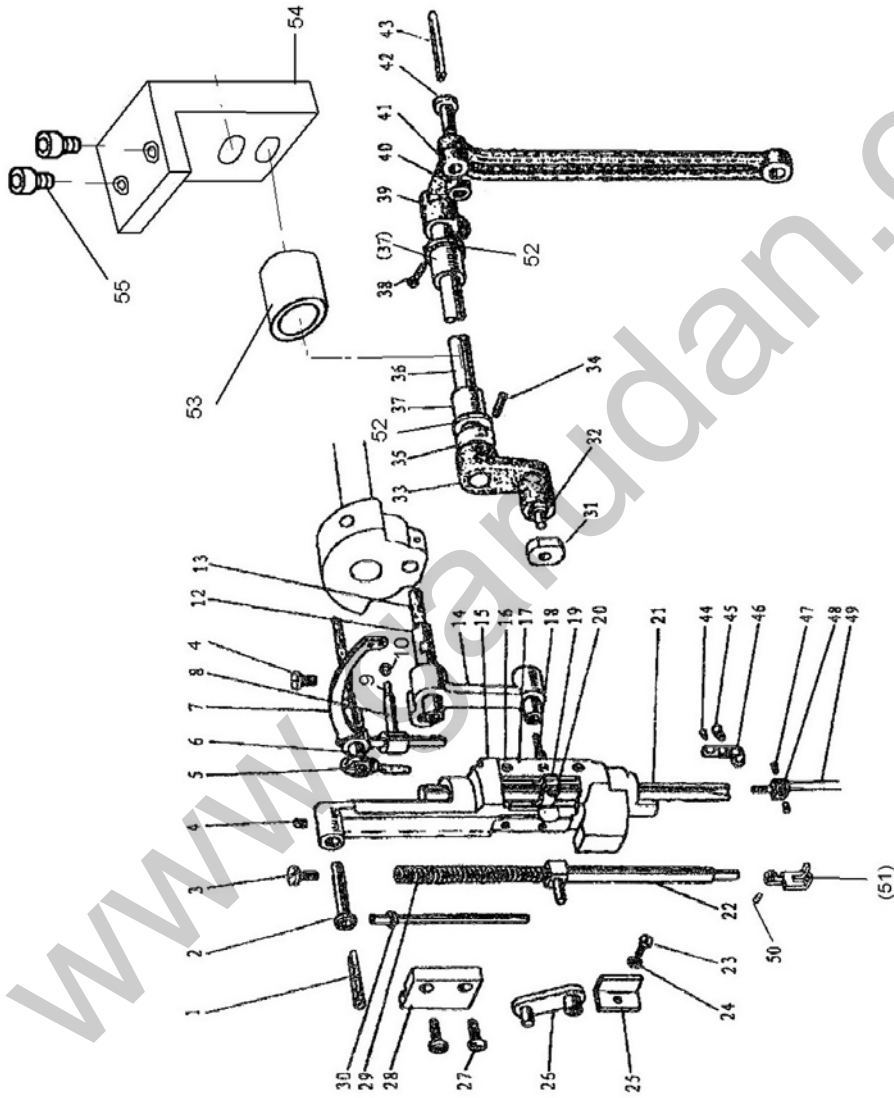
Ref. No.	Part No.	Name of Part	Q'ty	
			GF/138	GF/238
D 1	GF/ H4705E8001	Feed Lifting Rock Shaft	1	1
D 2	GF/ H4707E8001	Bushing	2	2
D 3	GF/ HS91165206	Nut	1	1
D 4	GF/ H4706E8001	Screw	2	2
D 5	GF/ H4709E8001	Lever	1	1
D 6	GF/ H3115F0671	Screw	1	1
D 7	GF/ H2013J0065	Washer	1	1
D 8	GF/ H2014J0066	Connectung Rod	1	1
D 9	GF/ H2000J2100	Bolt	1	1
D 10	GF/ H4713E8001	Oil Pipe, Wick complete	1	1
D 11	GF/ H20111C106	Spring	1	1
D 12	GF/ H007009250	C-type Stop Ring	1	1
D 13	GF/ H4714E8001	Eccentric (modification)	1	1
D 14	GF/ HA307C0662	Screw	2	2
D 15	GF/ ECQ2B40-20D	Air Cylinder	1	1
D 16	GF/ AS2201F-01-04S	Meter out Speed Controler	2	2
D 17	GF/ L100-21D	Bracket	1	1
D 18	GF/ M8x70	Rod with Thread (M8x70)	1	1
D 19	GF/ M6x20	Screw (M6x20 DIN 912)	2	2
D 20	GF/ M8x70	Nut (M8 DIN 934)	2	2
D 21	GF/ L100-14	Pin	1	1
D 22	GF/ H4730E8001	Lever Spring	1	1
D 23	GF/ L100-12	Screw (M8x0,75)	1	1
D 25	GF/ H472E8001	Knee lifting Lever	1	1
D 26	GF/ L100-15	Screw	1	1
D 29	GF/ HA111G0683	Screw	2	2
D 30	GF/ H4723E8001	Guide	1	1
D 31	GF/ H4744E8001	Bushing	2	2
D 32	GF/ H4754E8001	Presser Bar	1	1
D 33	GF/ H3200E2020	Screw	1	1
D 34	GF/ H4746E8001	Spring Bracket	1	1
D 35	GF/ H4768E8001	Thread Releasing Plate	1	1
D 36	GF/ H2404I0034	Screw	1	1
D 37	GF/ H4748E8001	Lifter Lever	1	1
D 38	GF/ H4767E8001	Spring	1	1
D 39	GF/ H4752E8001	Bracket	1	1
D 40	GF/ L100-13	screw	1	1
D 41	GF/ H4715E8001	Bell Crank	1	1
D 42	GF/ H2004J0655	Support Shaft	1	1
D 43	GF/ H4717E8001	Roller	1	1



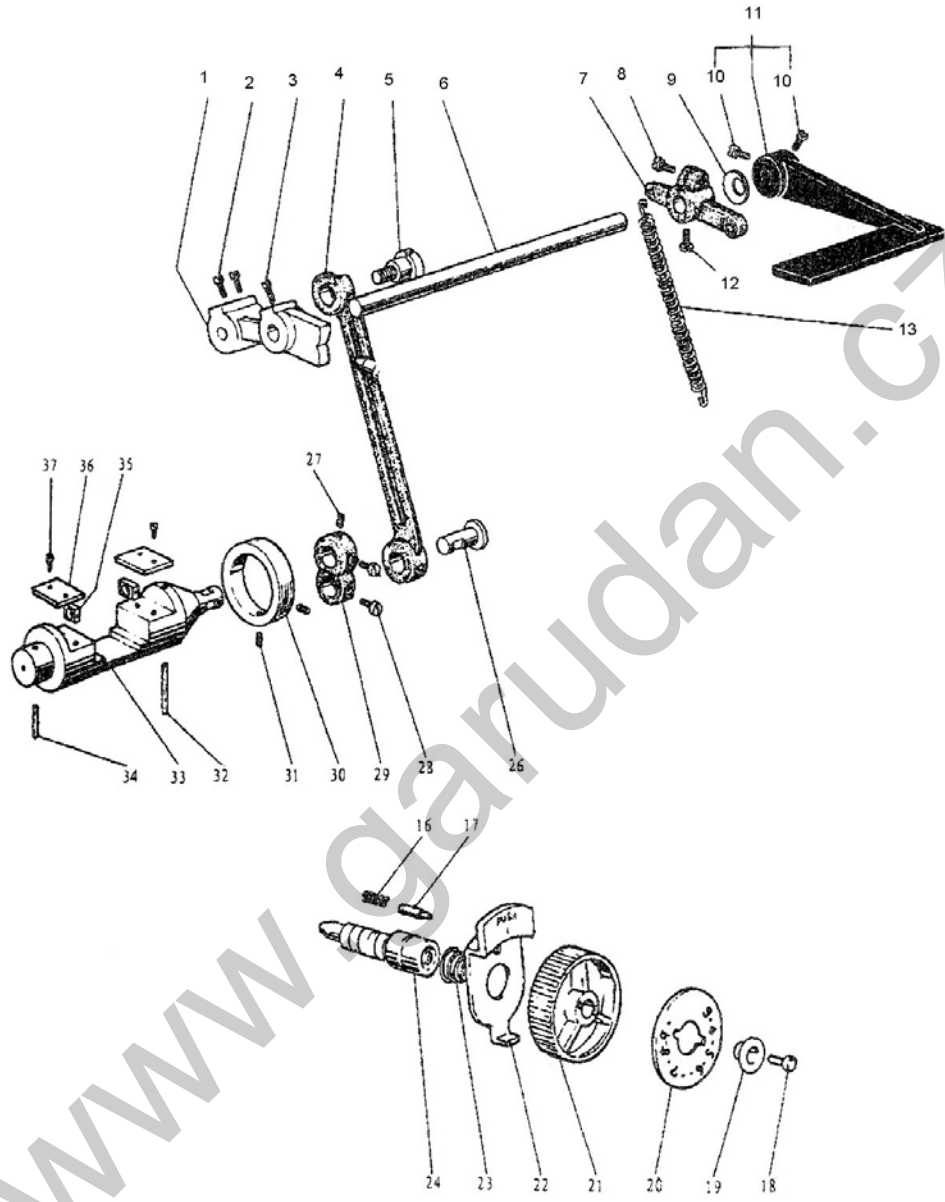
Ref. No.	Part No.		Name of Part	Q'ty	
				GF/138	GF/238
D44	GF/	H4718E8001	Screw	1	1
D45	GF/	H2004J0662	Screw	1	1
D46	GF/	H4719E8001	Link	1	1
D47	GF/	HA100E2150	Screw	2	2
D48	GF/	H4722E8001	Washer	2	2
D49	GF/	H4721E8001	Bell Crank Guide	1	1
D50	GF/	H4753E8001	Screw	1	1
D51	GF/	M6x16	Screw (M6x16 DIN 551)	2	2
D52	GF/	H4757E8001	Lifting Presser Foot(see table page no.47)		1
D52	GF/	H3100G2110	Lifting Presser Foot(see table page no.47)	1	
D53	GF/	M6x16	Screw (M6x16 DIN 963A)	2	2
D54	GF/	M5x12	Screw (M5x12 DIN 912)	3	3
D55	GF/	GKM8-16	Connecting Rod SMC	1	1
D	GF/				
D57	GF/	L100-21L	Roller	1	1



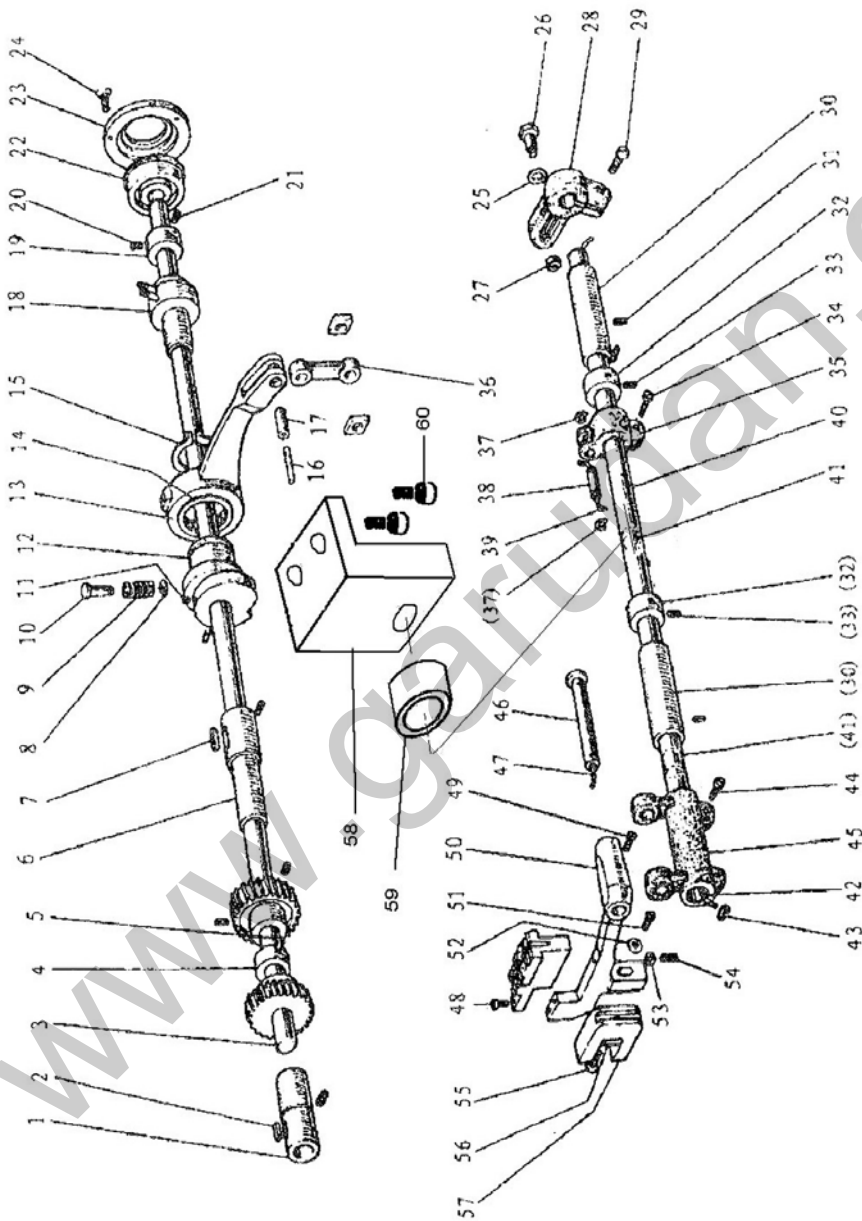
Ref. No.	Part No.	Name of Part	Q'ty	
			GF/138	GF/238
E 1	GF/ H24211DN05	Oil Wick	1	1
E 2	GF/ H4706F8001	Needle Bar Guide Bracket Stud	1	1
E 3	GF/ L100-11	Screw	1	1
E 4	GP/ 700510	Screw (M6x0.75x8)	2	2
E 5	GF/ H24211DN05	Oil Wick	1	1
E 6	GF/ H24211DM05	Thread Take -up Lever support Stud	1	1
E 7	GF/ H4712F8001	Thread Take -up Lever	1	1
E 8	GF/ H2405D1112	Thread Take-up Lever Slide Block	1	1
E 9	GF/ H24211D405	Oil Wick	1	1
E 10	GF/ H24211D305	Plug	1	1
E 12	GF/ H2405D0662	Needle Bar Crank Pin	1	1
E 13	GF/ H4716F8001	Oil Wick	1	1
E 14	GF/ H4717F8001	Connecting Link	2	2
E 15	GF/ H4719F8001	Needle Bar Guide Bracket	1	1
E 16	GF/ H32111D304	Screw	6	6
E 17	GF/ H4721F8001	Spacer	2	2
E 18	GF/ H3204D6513	Felt	1	1
E 19	GF/ H4722F8001	Needle Bar Holder	1	1
E 20	GF/ H32111D604	Screw	1	1
E 21	GF/ H4724F8001	Needle Bar		1
E 21	GF/ H4806F8001	Nedle Bar	1	
E 22	GF/ H4725F8001	Vibrating Presser Bar	1	1
E 23	GF/ H3400C2020	Screw	1	1
E 24	GF/ H3200I2030	Washer	1	1
E 25	GF/ H3400C2010	Needle Bar Guide	1	1
E 26	GF/ H4726F8001	Vibrating Presser Bar Link	1	1
E 27	GF/ H4753E8001	Screw	2	2
E 28	GF/ H4728F8001	Vibrating Prasser Bar Guide	1	1
E 29	GF/ H4729F8001	Spring Bracket	1	1
E 30	GF/ H4730F8001	Vibrating Presser Spring Guide	1	1
E 31	GF/ H3410C301P	Squre Block	1	1
E 32	GF/ H3406C0671	Crank Pin	1	1
E 33	GF/ H3406C0672	Needle Bar Vibrating Crank (left)	1	1
E 34	GF/ 4x24h6	Pin (4x24h6 DIN 6325, BN 858)	1	1
E 35	GF/ H4734F8001	Collar (modification)	1	1
E 36	GF/ L100-06	Nedle Bar Vibrating Shaft	1	1
E 37	GF/ NK 15/20	Beedle Bearing IKO	2	2
E 38	GF/ H2012N0652	Screw	1	1
E 39	GF/ L100-62	N. BarVibr.Crank (modification H3407C0661)	1	1
E 40	GF/ H32311D506	Nut	1	1
E 41	GF/ H3407C0662	Connecting Link	1	1
E 42	GF/ H32311D306	Screw	1	1



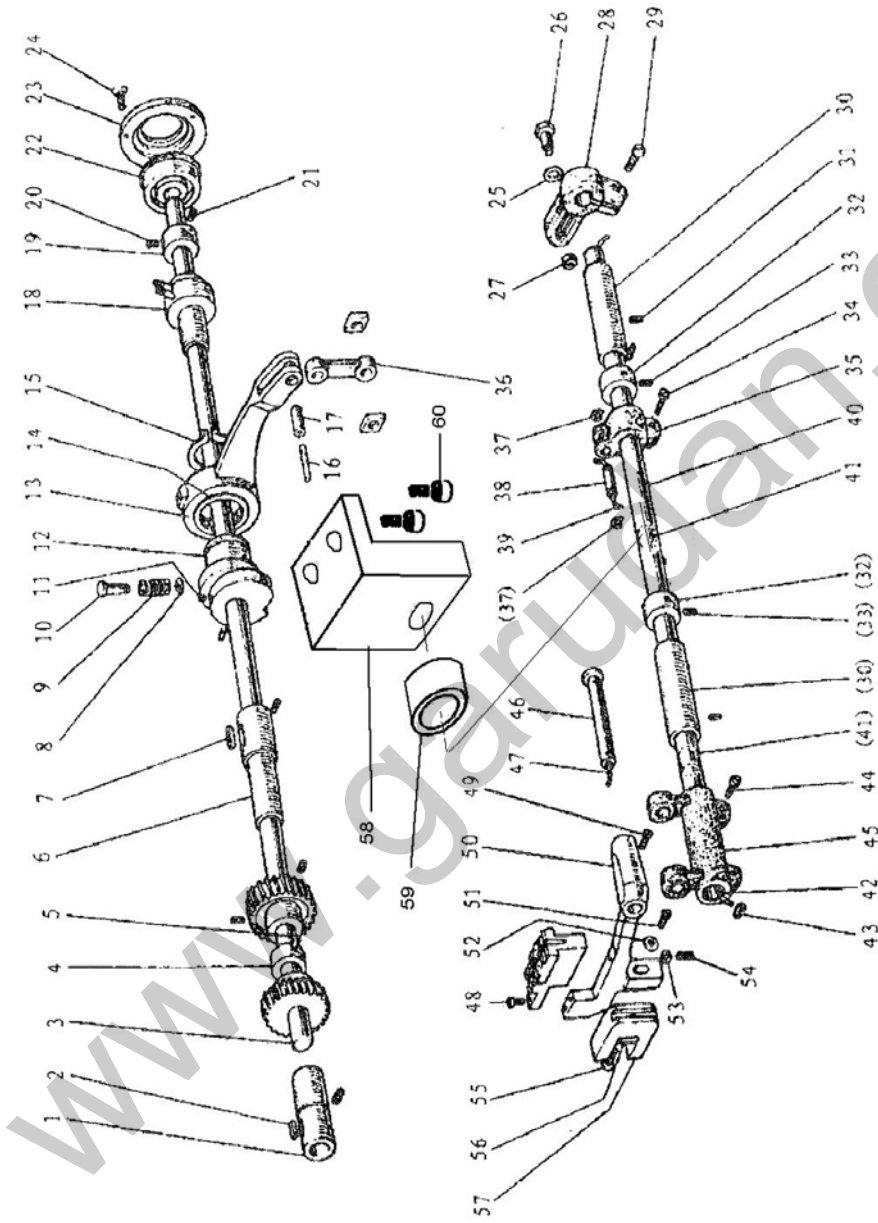
Ref. No.	Part No.	Name of Part	Q'ty	
			GF/138	GF/238
E 43	GF/ H32311D406	Oil Wick	1	1
E 44	GF/ H3129F0691	Screw	1	
E 45	GF/ HA100C2170	Screw	1	
E 46	GF/ H3129F0693	Thread Guide	1	
E 47	GF/ H32132D104	Screw		2
E 48	GF/ H4739F8001	Needle Clamp(1/4)(see table page no.45)		1
E 49	GF/ H4740F8001	Needle	1	2
E 50	GF/ HA700F2100	Screw	1	1
E 51	GF/ H4807F8001	Presser Foot (see table page no.45)	1	
E 51	GF/ H4737F8001	Presser Foot (see table page no.45)		1
E 52	GF/ 16x28/0.5,0.2	Distance Washer	x	x
E 53	GF/ HK 1512	Needle Bearing HK 1512 IKO	2	2
E 54	GF/ L100-24	(see table C)		
E 55	GF/ M4x20	(see table C)		



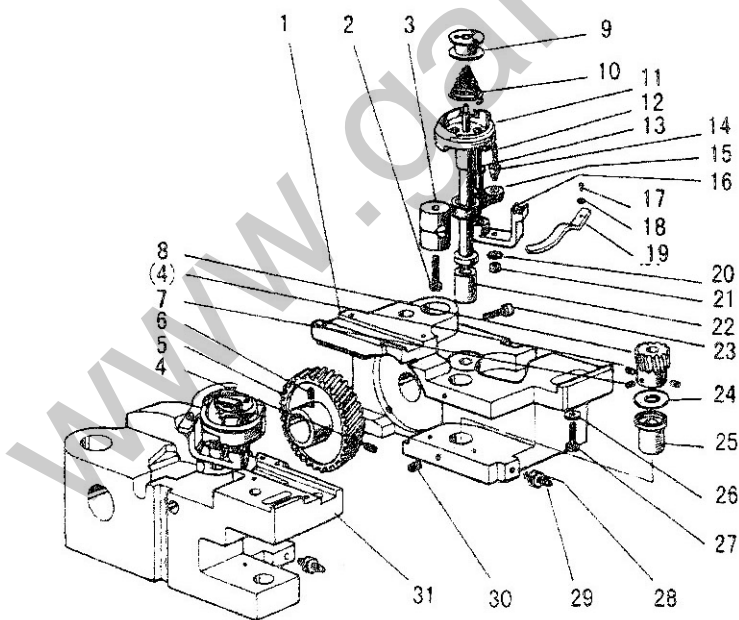
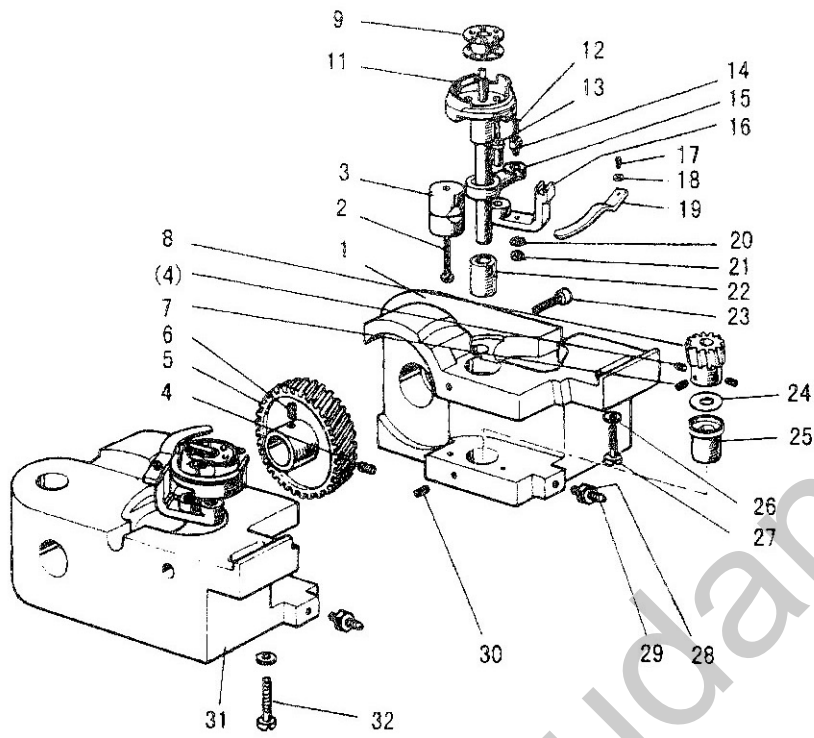
Ref. No.	Part No.	Name of Part	Q'ty	
			GF/138	GF/238
F 1	GF/ H4706G8001	Feed Regulator Cam	1	1
F 2	GF/ HA113F0684	Screw	2	2
F 3	GF/ H3200F2020	Screw	1	1
F 4	GP/ H4707G8001	Link	1	1
F 5	GF/ HA100G2070	Eccentric Shaft	1	1
F 6	GF/ H4909G8001	Reverse Stitch Shaft upper)	1	1
F 7	GF/ H4905G8001	Arm	1	1
F 8	GF/ HA800F2020	Screw	1	1
F 9	GF/ HA100F2110	Spring Washer	1	1
F 10	GF/ HA113F0684	Screw	2	2
F 11	GF/ H4906G8001	Reverse Sewing Lever	1	1
F 12	GF/ H3207F0672	Screw	1	1
F 13	GF/ H4710G8001	Spring	1	1
F 16	GF/ H3200F2120	Spring	1	1
F 17	GF/ HA700F2030	Pin	1	1
F 18	GF/ HA720F0608	Screw	1	1
F 19	GF/ HA720F0685	Bushing	1	1
F 20	GF/ H4910G8001	Stitch Length Indicating Plate	1	1
F 21	GF/ HA7421F120	Dial	1	1
F 22	GF/ HA720F0683	Vibrating Presser Bar	1	1
F 23	GF/ HA720F0687	Coil Spring	1	1
F 24	GF/ HA109F0671	Screw Bar	1	1
F 26	GF/ H3206F0662	Pin	1	1
F 27	GF/ H415050200	Screw	1	1
F 28	GF/ H428050060	Screw	2	2
F 29	GF/ H4714G8001	Reverse Sewing Crank	1	1
F 30	GF/ H4715G7101	Collar	1	1
F 31	GF/ HA3411D308	Screw	2	2
F 32	GF/ H4719G8001	Felt	1	1
F 33	GF/ H4720G8001	Reverse Block	1	1
F 34	GF/ H4721G8001	Felt	1	1
F 35	GF/ H4722G8001	Square block	1	1
F 36	GF/ H4723G8001	Guide Plate	2	2
F 37	GF/ HA300C2030	Screw	4	4



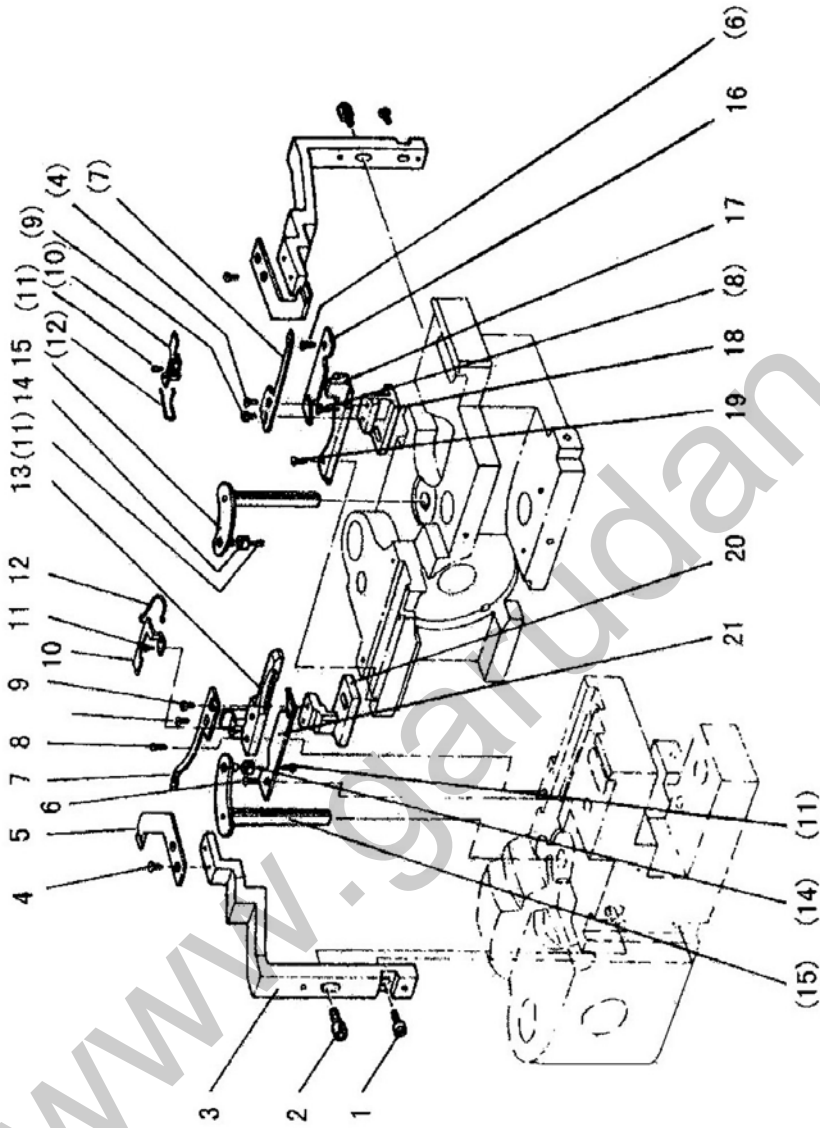
Ref. No.	Part No.	Name of Part	Q'ty	
			GF/138	GF/238
G 1	GF/ H4706H8001	Lower Shaft Bushing (left)	1	1
G 2	GF/ H4707H8001	Oil Wick	1	1
G 3	GF/ L100-08	Lower Shaft	1	1
G 4	GF/ H4710H8001	Feed Eccentric Cam	1	1
G 5	GF/ H3205H0654	Screw	1	1
G 6	GF/ H4712H8001	Lower Shaft Bushing (right)	1	1
G 7	GF/ H4713H8001	Oil Wick	1	1
G 8	GF/ H007013050	Stop Ring	2	2
G 9	GF/ H4714H8001	Spring	1	1
G 10	GF/ H4715H8001	Push Button	1	1
G 11	GF/ H2405D0664	Screw	2	2
G 12	GF/ H4717H8001	Feed Eccentric	1	1
G 13	GF/ H4718H8001	Feed Connecting Rod	1	1
G 14	GF/ H4719H8001	Needle Bearing	1	1
G 15	GF/ H007009260	C-type Stop Ring	1	1
G 16	GF/ H4720H8001	Oil Wick	1	1
G 17	GF/ H4721H8001	Shaft	1	1
G 18	GF/ H4722H7101	Lower Shaft Bushig Complete (miiddle)	1	1
G 19	GF/ H4725H8001	Bushig	1	1
G 20	GF/ HA105D0662	Screw	1	1
G 21	GF/ H3205H0654	Screw	1	1
G 22	GF/ H4723H8001	Ball Bearing	1	1
G 23	GF/ H4727H8001	Bearing Holder	1	1
G 24	GF/ HA7300C306	Screw	3	3
G 25	GF/ H4728H8001	Washer	1	1
G 26	GF/ H4729H8001	Screw	1	1
G 27	GF/ H003055060	Nut	1	1
G 28	GF/ L100-63	Feed Noc. Crank(modification H4731H8001)	1	1
G 29	GF/ H2012N0652	Screw	1	1
G 30	GF/ HK 1522	Needle Bearing HK 1522 IKO	2	2
G 31	GF/ HA4708D8001	Screw	2	2
G 32	GF/ L100-66	Collar (modification HA108G0661)	2	2
G 33	GF/ HA105D0662	Screw	4	4
G 34	GF/ H2012N0652	Screw	1	1
G 35	GF/ L100-64	Feed Noc. Crank (modification H4736H8001)	1	1
G 36	GF/ H4737H8001	Link	1	1
G 37	GF/ H007013050	E-type Stop Ring	2	2
G 38	GF/ H4738H8001	Pin	1	1
G 39	GF/ H4739H8001	Oil Wick	1	1
G 40	GF/ L100-07	Feed Rock Shaft	1	1
G 41	GF/ H4740H8001	Felt	2	2
G 42	GF/ H3204G0031	Oil Wick	1	1
G 43	GF/ H3200G2030	Clip	1	1



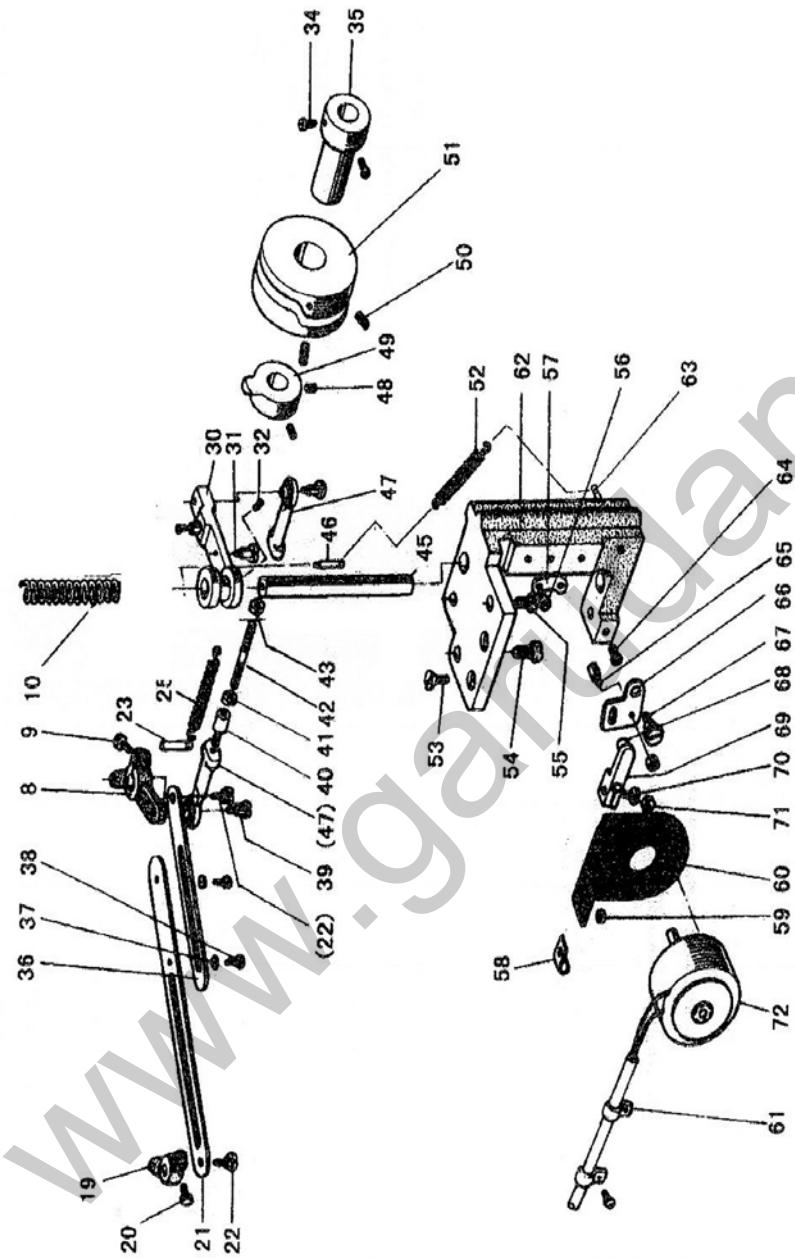
Ref. No.	Part No.	Name of Part	Q'ty	
			GF/138	GF/238
G44	GF/ HA104G0012	Screw	2	2
G45	GF/ L100-65	Feed C.Crank (modification H4905H8001)		1
G45	GF/ H3205G1032	Feed Connection Crank (left,modification)	1	
G46	GF/ H32243G205	Feed Bar Shaft	1	1
G47	GF/ H320G0662	Oil Wick	1	1
G48	GF/ H32211G205	Bolt	2	2
G49	GF/ H429050050	Bolt	1	1
G50	GF/ H4805H8001	Feed Bar	1	
G50	GF/ H4942H8001	Feed Bar		1
G51	GF/ H3200H2040	Screw	1	1
G52	GF/ H2013J0065	Washer	1	1
G53	GF/ H003002030	Nut		1
G54	GF/ H429030140	Screw		1
G55	GF/ H320H0653	Screw	1	1
G56	GF/ H3205H0652	Felt	1	1
G57	GF/ H4743H8001	Feed Bar Forked Connection	1	1
G58	GF/ L100-23	Bracket	1	1
G59	GF/ HK 1512	Needle Bearing HK 1512 IKO	1	1
G60	GF/ M4x20	Screw (M4x20 DIN 912)	2	2



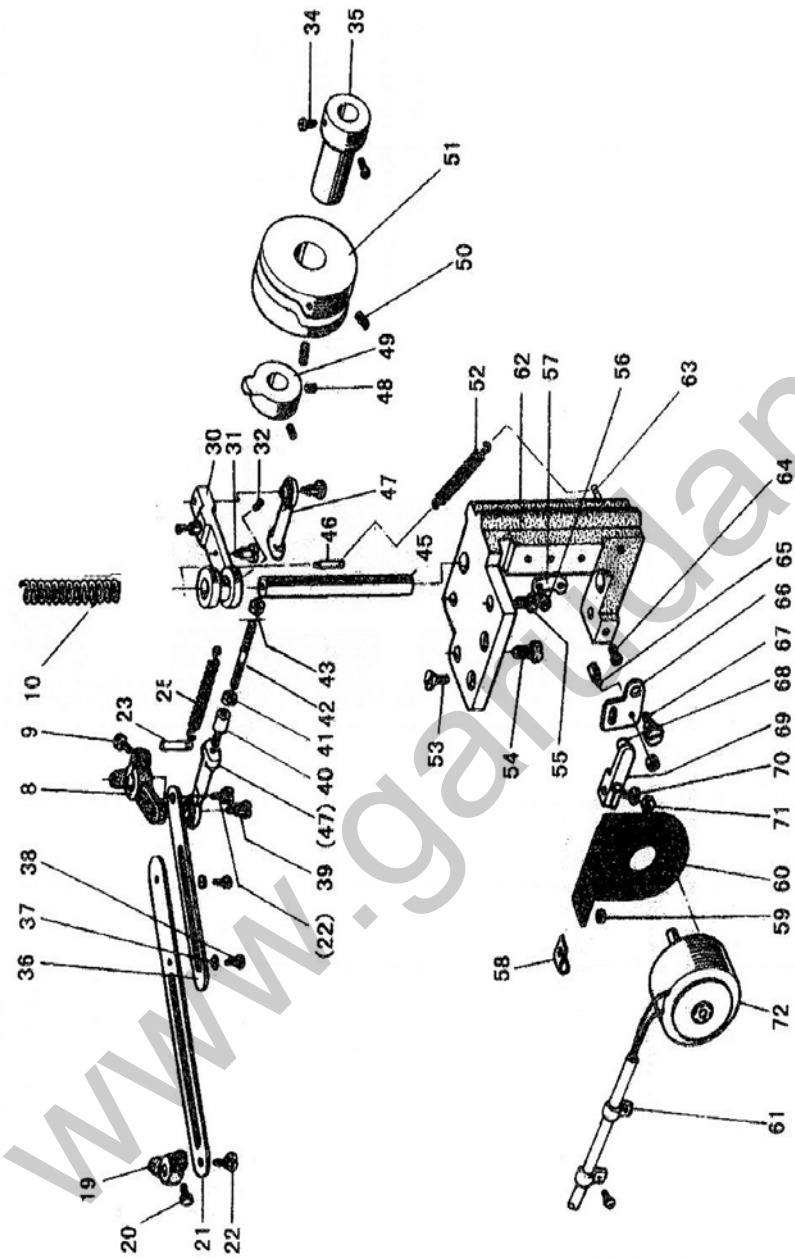
Ref. No.	Part No.	Name of Part	Q'ty			
			138/-3	238/-3	138/-6	238/-6
H 1	GF/H3304I0651	Hook Saddle (right)	1	1		
H 1	GF/H4906I8001	Hook Saddle (right)			1	1
H 2	GF/H3207I0661	screw	1	2	1	1
H 3	GF/H3207I0662	Bushing	1	2	1	2
H 4	GF/H4707I8001	Screw	3	6	3	6
H 5	GF/H4706I8001	Hook Driving Gear (large)	1	2	1	2
H 6	GF/H4708I8001	Screw	1	2	1	2
H 7	GF/H4709I8001	Screw	1	2	1	2
H 8	GF/H4705I8001	Hook Driving Gear (small)	1	2	1	2
H 9	GF/H3306I0067	Bobbin	1	2		
H 9	GF/H481I8001	Bobbin			1	2
H 10	GF/H4922I8001	Spring			1	2
H 11	GF/h4908i7101	Hook Complete			1	2
H 11	GF/H4708I7101	Hook Complete	1	2		
H 12	GF/H3204I0656	Oil Wick	2	4	2	4
H 13	GF/K321531504	Opener Bracket Shaft	1	2	1	2
H 14	GF/H321531204	Screw	1	2	1	2
H 15	GF/H33131I204	Link	1	2	1	2
H 16	GF/H33131I104	Opener Bracket	1	2	1	2
H 17	GF/H2004J0067	Screw	1	2	1	2
H 18	GF/H3200I2030	Washer	1	2	1	2
H 19	GF/H3305I0066	Opener	1	2	1	2
H 20	GF/H005008050	Spring Washer	1	2	1	2
H 21	GF/HA104G0658	Nut	1	2	1	2
H 22	GF/H33121I104	Hook Shaft Bushing (upper)	1	2		
H 22	GF/H4909I8001	Hook Shaft Bushing (upper)			1	2
H 23	GF/H3204I0657	screw	1	2	1	2
H 24	GF/H3312I204	Washer	1	2		
H 24	GF/H4910I8001	Washer			1	2
H 25	GF/H3204I0653	Hook Shaft Bushing (lower)	1	2		
H 25	GF/H1911I8001	Hook Shaft Bushing (lower)			1	2
H 26	GF/H2013J0065	Washer	1	2	1	2
H 27	GF/H3200I2050	Screw	1	1	1	1
H 28	GF/H3204I0659	Nut	1	2		
H 28	GF/H4914I8001	Nut			1	2
H 29	GF/H3204I0658	Screw	1	2		
H 29	GF/H4915I8001	Screw			1	2
H 30	GF/HA305E0662	Screw			2	4
H 31	GF/H4917I8001	Hook Saddle (left)				1
H 31	GF/H3307I0681	Hook Saddle (left)		1		
H 32	GF/H3200I2050	Screw	1	2		
H 32	GF/H4913I8001	Screw			1	2



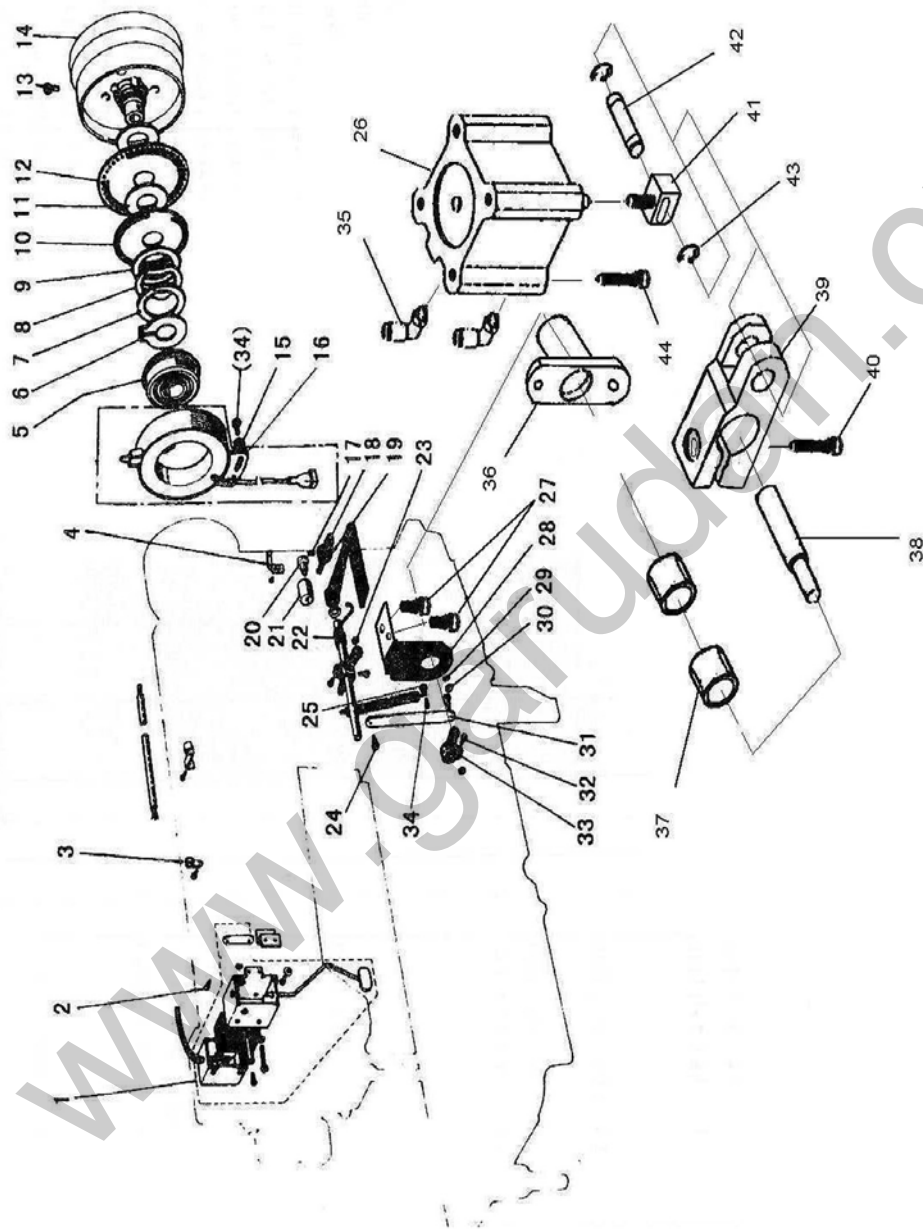
Ref. No.	Part No.	Name of Part	Q'ty	
			GF/138	GF/238
I 1	GF/ H4905J8001	Screw	1	2
I 2	GF/ H4906J8001	Bolt	1	2
I 3	GF/ H4907J8001	Trimming Knife Holder	1	2
I 4	GF/ H4908J8001	Screw	1	2
I 5	GF/ H4909J8001	Fixed Blade	1	2
I 6	GF/ H4914B8001	Screw	2	4
I 7	GF/ H4911J8001	Moved Knife	1	2
I 8	GF/ H4912J8001	Screw	1	2
I 9	GF/ H4913J8001	Screw	1	2
I 10	GF/ H4914J8001	Spring Plate	1	2
I 11	GF/ H4915J8001	Screw	3	6
I 12	GF/ H4916J80001	Reversing Spring	1	2
I 13	GF/ H4917J8001	Guide	1	1
I 14	GF/ H4920J8001	Roller	1	2
I 15	GF/ H4921J8001	Lever	1	2
I 16	GF/ H4922J8001	Cover	1	1
I 17	GF/ H4923J8001	Guide (right)	1	1
I 18	GF/ H4924J8001	Knife Pad (right)	1	1
I 19	GF/ H4925J8001	Screw	1	1
I 20	GF/ H4926J8001	Knife Pad (left)	1	1
I 21	GF/ H4927J8001	Cover	1	1



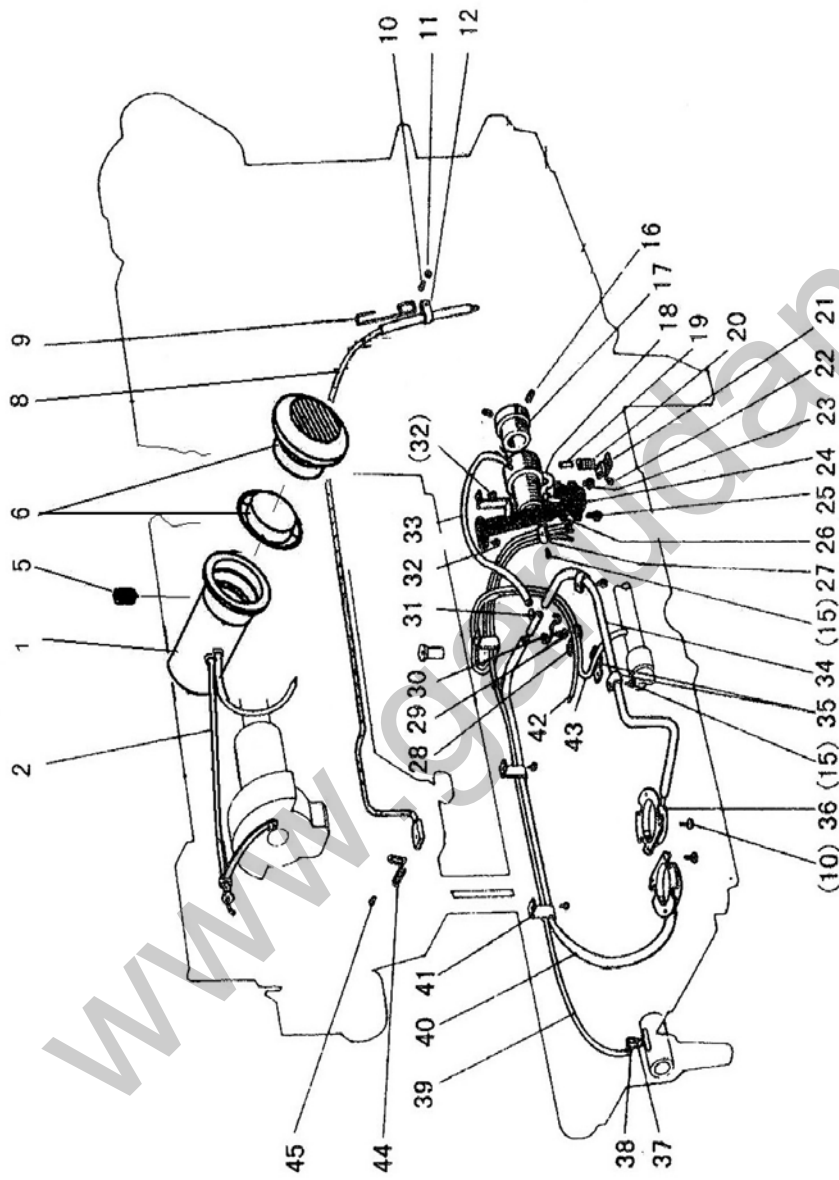
Ref. No.	Part No.	Name of Part	Q'ty	
			GF/138	GF/238
J8	GF/ H4912K8001	Arm	1	1
J9	GF/ H4913K8001	Bolt	1	1
J10	GF/ H4945K8001	Spring	1	1
J11	GF/ H4950K8001	Screw	1	1
J12	GF/ H494K8001	Roller	1	1
J19	GF/ H4908K8001	Arm		1
J20	GF/ H4907K8001	Bolt		1
J21	GF/ H4906K8001	Link		1
J22	GF/ H4905K8001	Screw	2	2
J23	GF/ HA100H2080	Pin Type	1	1
J24	GF/ H4946K7101	Thread Releasing Lever	1	1
J25	GF/ H4943K8001	Spring	1	1
J26	GF/ H4951K8001	Nut	1	1
J30	GF/ H4957K7101	Vibrating Crank	1	1
J31	GF/ H4944K8001	Screw	1	1
J32	GF/ H3205G1114	Screw	2	2
J34	GF/ HA113F0684	Screw	2	2
J35	GF/ H4931K8001	Bushing	1	1
J36	GF/ H4909K8001	Link		1
J37	GF/ H005001050	Washer		1
J38	GF/ H4911K8001	Bolt		2
J39	GF/ H4936K8001	Screw	2	2
J40	GF/ H4987K8001	Bolt	1	1
J41	GF/ H4940K8001	Nut (left)	1	1
J42	GF/ H4939K8001	Bolt	1	1
J43	GF/ H003002050	Nut (right)	1	1
J44	GF/ H4964K8001	Shaft	1	1
J45	GF/ H4963K8001	Shaft	1	1
J46	GF/ H4985K8001	Screw	1	1
J47	GF/ H3405D0663	Ball Joint (right)	2	2
J48	GF/ H320G1114	Screw	4	4
J49	GF/ H4934K8001	Cam	1	1
J50	GF/ HA710E0692	Screw	2	2
J51	GF/ H4932K8001	Cam	1	1
J52	GF/ H4986K8001	Spring	1	1
J53	GF/ H411050160	Scrwr	2	2
J54	GF/ H2012N0652	Screw	1	1
J55	GF/ H4983K8001	Screw	1	1
J56	GF/ H4967K8001	Screw	3	3
J57	GF/ H4966K8001	Stopper	1	1
J58	GF/ H4981K8001	Holder	1	1
J59	GF/ H003008050	Nut	2	2
J60	GF/ H4977K8001	Mounting Plate	1	1



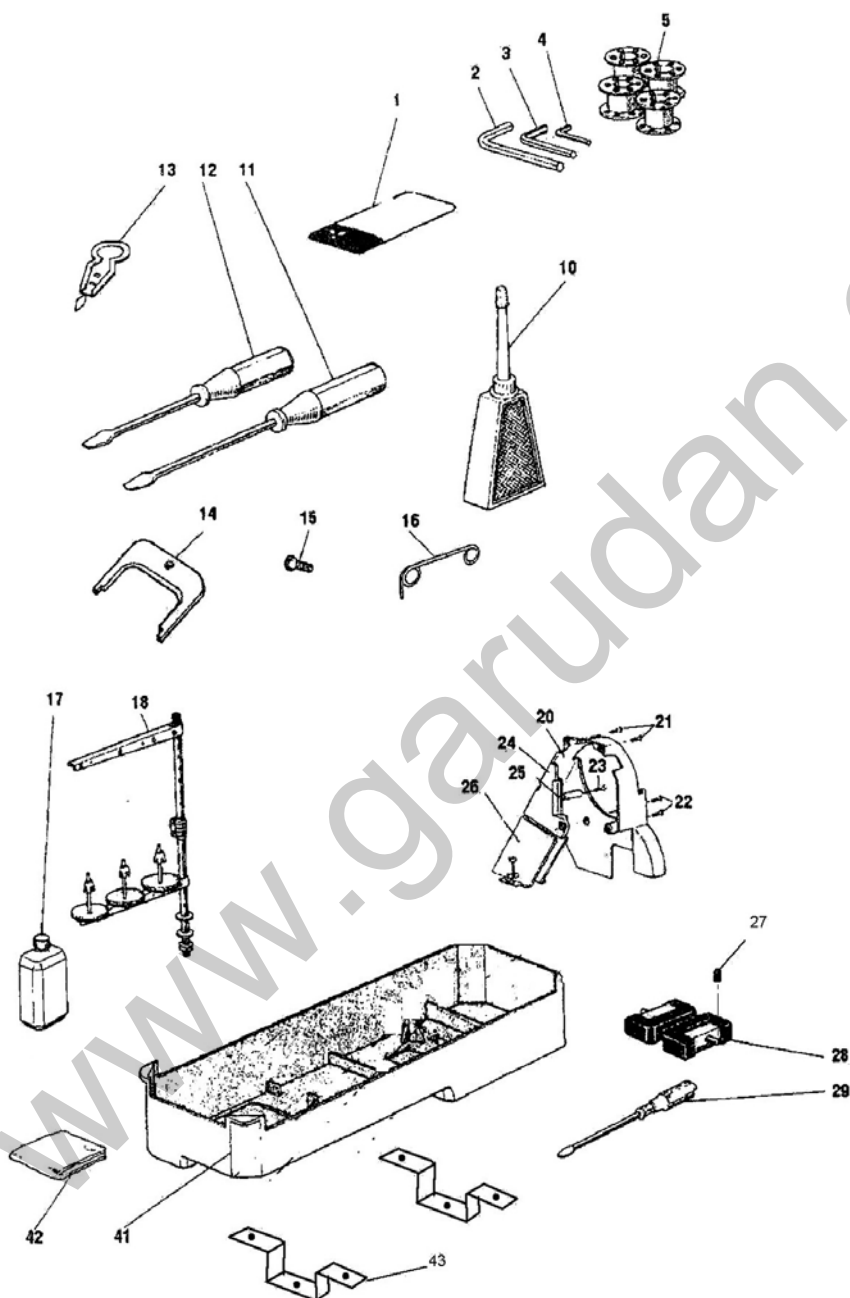
Ref. No.	Part No.	Name of Part	Q'ty	
			GF/138	GF/238
J61	GF/ H4980K8001	Holder	2	2
J62	GF/ H4965K8001	Set Plate	1	1
J63	GF/ H3700E2080	Pin Type	1	1
J64	GF/ H4969K8001	Screw	1	1
J65	GF/ H4970K8001	Screw	1	1
J66	GF/ H4971K8001	Lever	1	1
J67	GF/ H4972K8001	Screw	1	1
J68	GF/ H4973K8001	Pin	1	1
J69	GF/ H4974K8001	Arm	1	1
J70	GF/ HA111G0683	Screw	1	1
J71	GF/ HA7111N304	Nut	1	1
J72	GF/ H4979K8001	Solenoid Complete	1	1



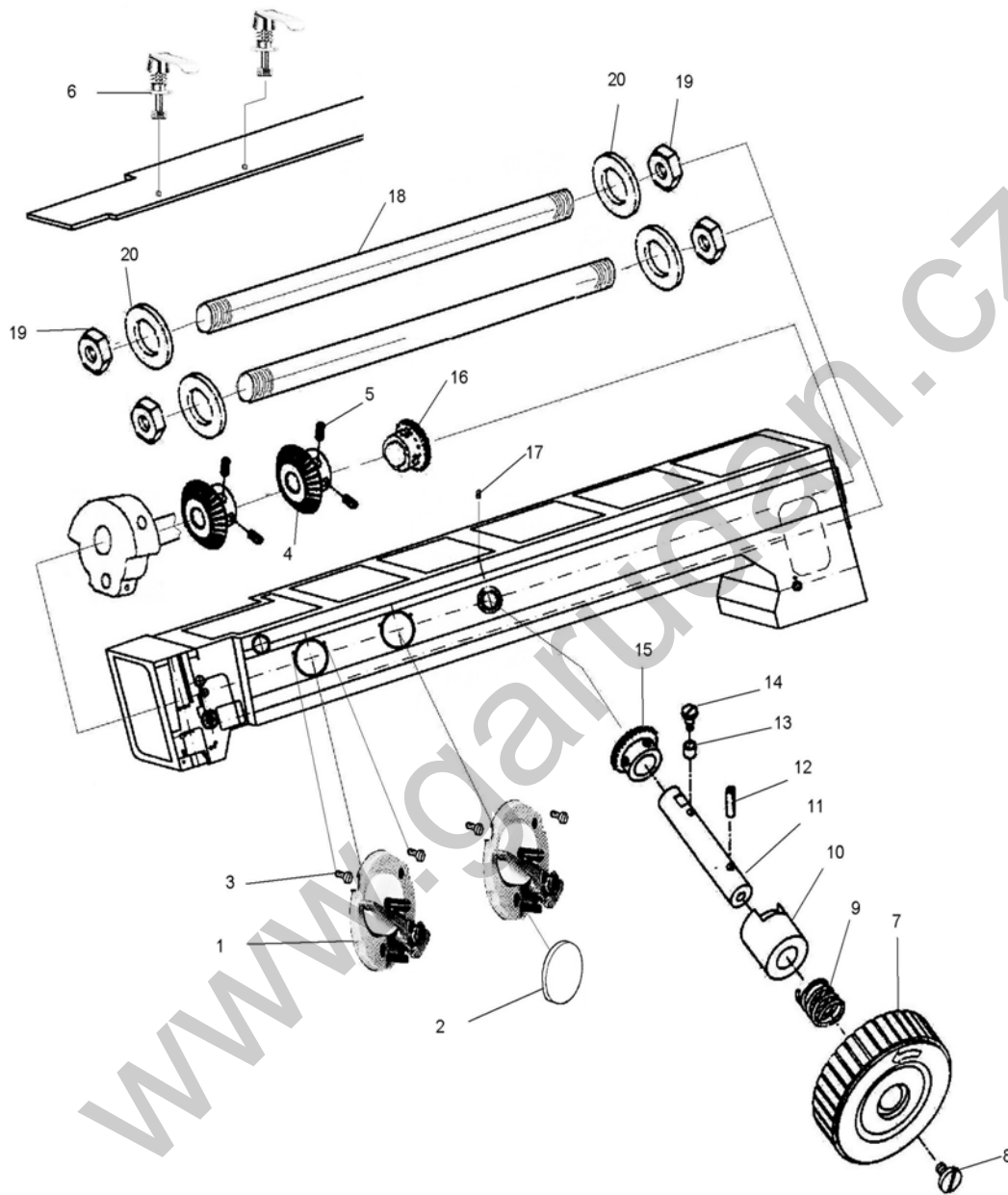
Ref. No.	Part No.	Name of Part	Q'ty	
			GF/138	GF/238
K 1	GF/ H4905L7101	Touth Switch Complete	1	1
K 2	GF/ H4918L8001	Screw	4	4
K 3	GF/ HA700Q0030	Holder	2	2
K 4	GF/ H49922L8001	Holder	1	1
K 5	GF/ H3205J0662	Ball Bearing	1	1
K 6	GF/ H007009300	Retaining Ring C-type	1	1
K 7	GF/ HA700R0060	Washer	1	1
K 8	GF/ HA700R0050	Support Spring	1	1
K 9	GF/ HA700R0040	Spacer	1	1
K 10	GF/ H4928L8001	Speed Command Disk F20 (up)	1	1
K 11	GF/ HA700R0030	Spacer A	2	2
K 12	GF/ H4930L8001	Speed Command Disk F11 (down)	1	1
K 13	GF/ HA110D0672	Screw	2	2
K 14	GF/ H4931L8001	Pulley (complete)	1	1
K 15	GF/ HA703R0067	Washer	1	1
K 16	GF/ HA703R0065	Detector Bracket (complete)	1	1
K 17	GF/ HA3411D308	Screw	1	1
K 18	GF/ H4936L8001	Lever	1	1
K 19	GF/ HA113F0684	Screw	1	1
K 20	GF/ H4937L8001	Screw	1	1
K 21	GF/ H4938L8001	Rubber Ring	1	1
K 22	GF/ H4939L8001	Spring	1	1
K 23	GF/ H4940L8001	Nut	2	2
K 24	GF/ H4941L8001	Screw	2	2
K 25	GF/ M4	Nut M4	1	1
K 26	GF/ CQ2B25-15D	Air Cylinder CQ2B25-15D SMC	1	1
K 27	GF/ M6x10	Screw M6x10 DIN 912	2	2
K 28	GF/ L100-55	Bracket	1	1
K 29	GF/	Spring Washer	2	2
K 30	GF/ M4	Nut M4	2	2
K 31	GF/ H4948L8001	Link	1	1
K 32	GF/ H4949L8001	Blot	1	1
K 33	GF/ H4950L8001	Arm	1	1
K 34	GF/ M4x10	Screw M4x10 DIN84A	2	2
K 35	GF/ KQ2L04-M5	Fitting SMC	2	2
K 36	GF/ L100-51	Bushing	1	1
K 37	GF/ HK 1010	Needle Bearing HK 1010 SKF	2	2
K 38	GF/ L100-54	Shaft	1	1
K 39	GF/ L100-50	Crank	1	1
K 40	GF/ M6x16	Screw (M6x16 DIN 912)	1	1
K 41	GF/ L100-53	Remove Lever	1	1
K 42	GF/ L100-52	Pin	1	1
K 43	GF/ 4	E-ring 4 DIN 6799	2	2
K 44	GF/ M4x40	Screw M4x40 DIN 912	3	3



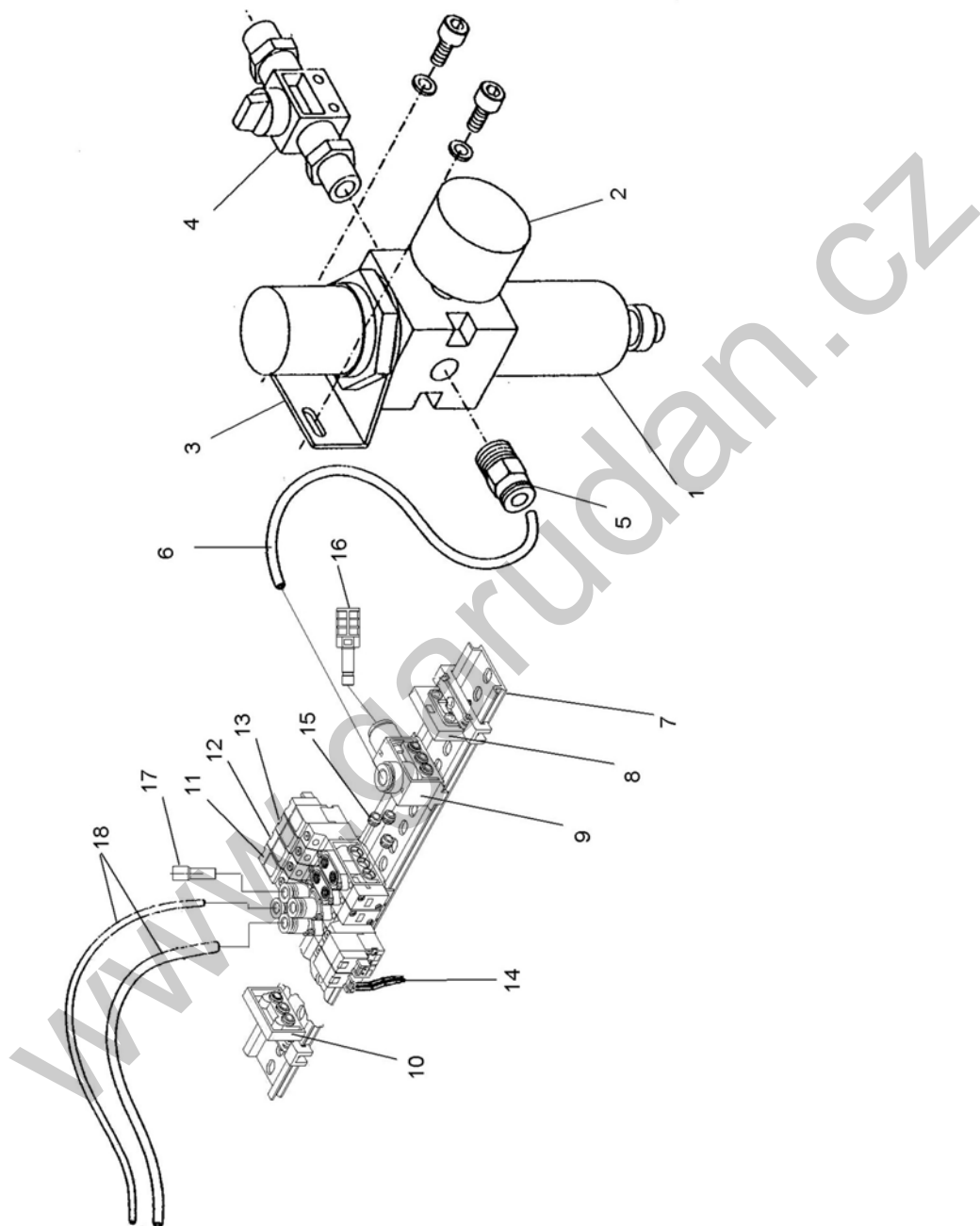
Ref. No.	Part No.	Name of Part	Q'ty	
			GF/138	GF/238
L 1	GF/ L100-20	Oil Reservoir	1	1
L 2	GF/ H4705J7101	Oil Pipe complete	1	1
L 5	GF/ M5x5	Screw M5x5 DIN 551	1	1
L 6	GF/ K56042282015	Oil Control Peephole cat.No.28004-2282015	1	1
L 8	GF/ H4711J7101	Oil Reservoir Complete	1	1
L 9	GF/ H4713J8001	Holder	1	1
L 10	GF/ HA7311CC06	Screw	7	7
L 11	GF/ HA100I2050	Spring Washer	1	1
L 12	GF/ H2000M0110	Holder	1	1
L 16	GF/ H3230K0751	Screw	2	2
L 17	GF/ H4716K8001	Bushing	1	1
L 18	GF/ H3215K0696	Oil Pipe	1	1
L 19	GF/ H1100I2070	Pin	1	1
L 20	GF/ H1100I2090	Spring	1	1
L 21	GF/ H1100I2120	Spring Holder	1	1
L 22	GF/ H3204D6510	Screw	1	1
L 23	GF/ H3215K0693	Screw	1	1
L 24	GF/ H3215K0692	Filter	1	1
L 25	GF/ H3215K0694	Screw	1	1
L 26	GF/ H4718J7101	Mounting Plate Complete	1	1
L 27	GF/ H3215K0695	Holder	1	1
L 28	GF/ H3200K0170	Holder	1	1
L 29	GF/ HA7311CC06	Pin		1
L 30	GF/ H3210K0674	Holder		1
L 31	GF/ H3210K0671	Oil Pipe Joint		1
L 32	GF/ HA100E2150	Screw	4	4
L 33	GF/ H4721J8001	Oil Pipe diam.3x1x90		1
L 34	GF/ H4805J8001	Oil Pipe diam.3x1x370	1	
L 35	GF/ H4723J8001	Oil Pipe diam.3x1x300		1
L 36	GF/ H2000M0110	Holder	3	3
L 37	GF/ H3211K0068	Oil Reservoir Complete	2	2
L 38	GF/ H3200K0180	Oil Wick diam.2.5x35	3	3
L 39	GF/ H4735J8001	Oil Pipe	1	1
L 40	GF/ H4724J8001	Oil Pipe diam.3x1x445	1	1
L 41	GF/ H3200K0160	Holder	3	3
L 42	GF/ H4725J7101	Oil Wick	1	1
L 43	GF/ H4728J7101	Oil Wick	1	1
L 44	GF/ H4731J8001	Holder	1	1
L 45	GF/ HA300C2030	Screw	1	1



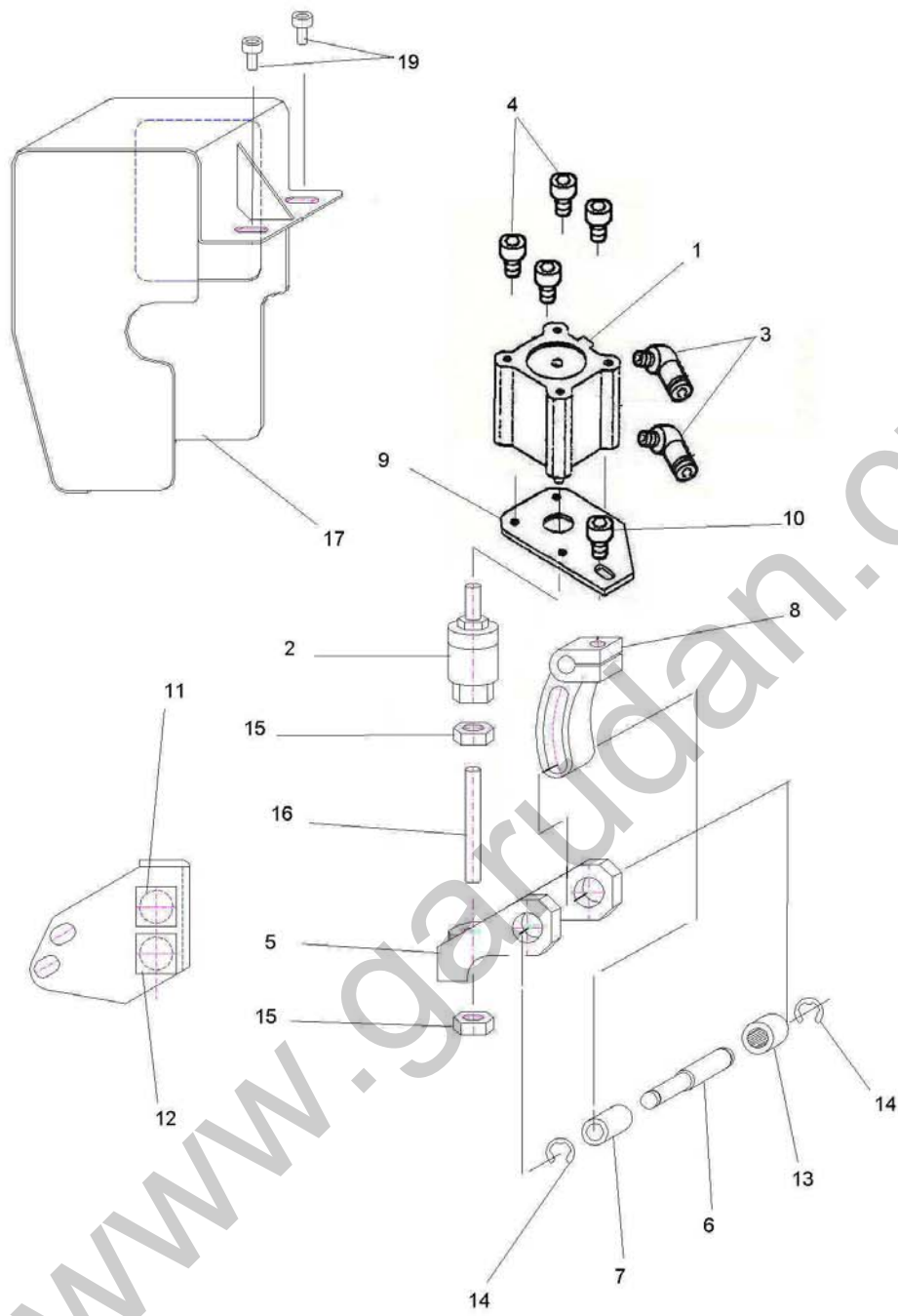
Ref. No.	Part No.	Name of Part	Q'ty			
			138/-3	238/-3	138/-6	238/-6
M 1	GF/H4740F8001	Needle DPx17-23	3	6	3	6
M 2	GF/H3209L8001	Socet Wrench			1	1
M 3	GF/H3208L8001	Socet Wrench	1	1	1	1
M 4	GF/H4905N8001	Socet Wrench			1	1
M 5	GF/H3306I0067	Bobbin	2	4		
M 5	GF/H49121I8001	Washer			2	4
M 10	GF/HA100J2110	Oiler	1	1	1	1
M 11	GF/HA100J2140	Screw Driver (middle)	1	1	1	1
M 12	GF/HA100J2150	Screw Driver (small)	1	1	1	1
M 13	GF/H3207L0065	Thread a Needle Kit	1	1	1	1
M 14	GF/HA704S0654	Adjusting Plate for Speed Command Disk			1	1
M 15	GF/H409030060	Screw			1	1
M 16	GF/H4907N8001	Thread Guide			1	1
M 17	GF/H3200L0130	Oil Can	1	1	1	1
M 18	GF/H3200L0120	Cotton Stand	1		1	
M 18	YH/FPL-4	Cotton Stand		1		1
M 20	GF/H2008O0068	Belt Cover			1	1
M 21	GF/HA300C2170	Screw			2	2
M 22	GF/HA300J2280	Screw	2	2	2	2
M 23	GF/HA300J2250	Screw			1	1
M 24	GF/H2405B6601	Belt Cover Complete	1	1		
M 24	GF/H4953N7101	Belt Cover Complete			1	1
M 25	GF/H003008040	Nut			1	1
M 26	GF/HA305J0665	Belt Cover	1	1	1	1
M 27	GF/M6x15	Screw M6x15 DIN 551	2	2	2	2
M 28	GF/HA307J0067	Hinge Complete	2	2	2	2
M 29	GF/HA300J2070	Screw Driver (large)	1	1	1	1
M 41	GF/L100-18	Oil Pan	1	1	1	1
M 42	GF/HA100J2180	Vinyl Cover	1	1	1	1
M 43	GF/L100-19	Oil Pan Holder	2	2	2	2



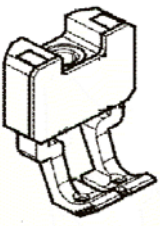

Ref. No.	Part No.	Name of Part	Q'ty	
			GF/138	GF/238
N 1	GF/ H98A030	Bobbin Winder	1	2
N 2	GF/ L100-27	Plug	1	
N 3	GP/ 700336	Screw	4	4
N 4	GF/ L100-09	Bevel Gear	1	2
N 5	GP/ 341901	Screw M6x0.75x6	2	4
N 6	P/ P98002524800	Thread Retainer	1	2
N 7	S/ 25S004S-306H	Hand Pulley	1	1
N 8	S/ 25S012S-306H	Screw	1	1
N 9	S/ 25S011S-306H	Hand Pulley Spring	1	1
N 10	S/ 25S009S-306H	Bushing	1	1
N 11	S/ 25S005S-306H	Shaft	1	1
N 12	S/ 25S008S-306H	Spring Pin	1	1
N 13	S/ 25S007S-306H	Hand Pulley Roller	1	1
N 14	S/ 25S006S-306H	Hand Pulley Roller Hinge Screw	1	1
N 15	S/ 25S001S-306H	Hand Pulley Gear B	1	1
N 16	GF/ L100-56	Hand P. Gear B(Modification 25S001S-306H)	1	1
N 17	GF/ M5x8	Screw M5x8 DIN 551	1	1
N 18	GF/ L100-04	Strain Shaft	2	2
N 19	GF/ M12	Nut M12 DIN 934 ISO 4032 BN 116 Kl.8	4	4
N 20	GF/ 12	Washer 12x24x0.5 DIN 988 BN 748	4	4










Ref. No.	Part No.	Name of Part	Q'ty	
			GF/138	GF/238
O 1	GF/ AW20-F02H	Filter Regulator AW20-F02H SMC	1	1
O 2	GF/ G36-10-01	Manometr G36-10-01	1	1
O 3	GF/ ARP20P-270AS	Holder SRP20P-270AS	1	1
O 4	GF/ VHK3-08F-02S	Finger Valve VHK3-08F-02S	1	1
O 5	GF/ KQ2H08-02S	Tube Connector KQ2H08-02S	1	1
O 6	GF/ TU0805BU-20	Air Tube TU0805BU-20 (20m)	30cm	30cm
O 7	GF/ VZ1000-11-3-1000	Bracket Ledge VZ1000-11-3-1000	1	1
O 8	GF/ SY3000-56-1A-Q	Terminal panel SY3000-56-1A-Q	1	1
O 9	GF/ SY3000-55-1A-Q	Input Block SY3000-55-1A-Q	1	1
O 10	GF/ SY3000-56-1B-Q	Terminal panel SY3000-56-1B-Q	1	1
O 11	GF/ SY3160-5LOU	Solenoid Valve SY3160-5LOU-C4-Q Table D	1	1
O 12	GF/ SY3160-5LOU	Solenoid Valve SY3160-5LOU-C4-Q Table B	1	1
O 13	GF/ SY3160-5LOU	Solenoid Valve SY3160-5LOU-C4-Q Table K	1	1
O 14	GF/ SY100-30-4A-20	Solenoid Connector SY100-30-4A-20	3	3
O 15	GF/ SY3000-52-5A	Connecting Ring SY3000-52-5A	3	3
O 16	GF/ AN203-KM8	Silencer AN203-KM8 (for sol.No.12)	1	1
O 17	GF/ KQ2P-04	Plug KQ2P-04	1	1
O 18	GF/ TU0425BU-20	Air Tube TU0425BU-20 (20m)	8m	8m
O 21(11)	GF/ SY3160-5LOU	Solenoid Valve SY3160-5LOU-C4-Q Table P	1	1
O 22(14)	GF/ SY100-30-4A-20	Solenoid Connector SY100-30-4A-20	1	1
O 23(18)	GF/ TU0425BU-20	Air Tube TU0425BU-20 (20m)	4m	4m
*Ref.No.21,22,23-for the Acvanced Alternating Presser Foot Mechanism-table P -určeno pro předzdvih krácející patky- - viz. tab. P				



Ref.No.	Part No.	Name of Part	Q'ty	
			GF/138	GF/238
P1	GF/CQ2B20-30D	Air Cylinder CQ2B20-30D SMC	1	1
P2	GF/JA15-5-080	Kompenzační hlavice SMC	1	1
P3	GF/KQ2L04-M5	Fitting SMC	2	2
P4	GF/M5x50	Screw M5x50 DIN 912	4	4
P5	GF/41	Bracket	1	1
P6	GF/42	Pin	1	1
P7	GF/44	Roller	1	1
P8	GF/45	Lever (modification H4709E8001)	1	1
P9	GF/46	Holder	1	1
P10	GF/47	Screw (modification M8x25 DIN 912)	1	1
P11	GF/AL1Q-M11-A	Push Button AL1Q-M11-A (orange)	1	1
P12	GF/AB1Q-M1-S	Push Button AB1Q-M1-S (blue)	1	1
P13	GF/HK0709	Needle Bearing HK0709 SKF	1	1
P14	GF/4	E-Ring 4 DIN 6799	2	2
P15	GF/M5	Nut M5 DIN 934	2	2
P16	GF/M5x30	Screw M5x30 DIN915 (DIN551)	1	1
P17	GF/48	Cover	1	1
P18				
P19	GF/M5x15	Screw M5x15 DIN 912	2	2

			
	Straightening Presser Foot Foot Kompenzační patka	Presser Foot Zadní patka	Notice Poznámka
5/16" (8mm)	SM21-1S	SM21-2	
3/8" (9.5mm)	SM20-1S	SM20-2	
1/2" (12.7mm)	SM19-1S	SM19-2	

Gauge Parts List

							
Gauge Size	Needle Plate	Presser Foot (Inside)	Presser Foot	Needle Clamp	Feed Dog	Slide Plate(L)	Slide Plate(R)
GF-230-443 MH							
1/8 (3. 2mm)	H4737B8001	H4741F8001	H4758E8001	H4750F8001	H4745H8001	H4732B8001	H4733B8001
5/32 (4mm)	H4738B8001	H4742F8001	H4759E8001	H4751F8001	H4746H8001	H4732B8001	H4733B8001
3/16 (4. 8mm)	H4739B8001	H4743F8001	H4760E8001	H4752F8001	H4747H8001	H4732B8001	H4733B8001
1/4 (6. 4mm)	H4734B8001	H4737F8001	H4757E8001	H4739F8001	H4744H8001	H4732B8001	H4733B8001
5/16 (8mm)	H4740B8001	H4744F8001	H4761E8001	H4753F8001	H4748H8001	H4746B8001	H4733B8001
3/8 (9. 5mm)	H4741B8001	H4745F8001	H4762E8001	H4754F8001	H4749H8001	H4746B8001	H4733B8001
1/2 (12. 7mm)	H4742B8001	H4746F8001	H4763E8001	H4755F8001	H4750H8001	H4747B8001	H4750B8001
5/8 (16mm)	H4743B8001	H4747F8001	H4764E8001	H4756F8001	H4751H8001	H4747B8001	H4750B8001
3/4 (19mm)	H4744B8001	H4748F8001	H4765E8001	H4757F8001	H4752H8001	H4748B8001	H4750B8001
1 (25. 4mm)	H4745B8001	H4749F8001	H4766E8001	H4758F8001	H4753H8001	H4749B8001	H4750B8001
GF-230-446 MH							
1/8 (3. 2mm)	H4937B8001	H4741F8001	H4758E8001	H4750F8001	H4945H8001	H4732B8001	H4733B8001
5/32 (4mm)	H4938B8001	H4742F8001	H4759E8001	H4751F8001	H4946H8001	H4732B8001	H4733B8001
3/16 (4. 8mm)	H4939B8001	H4743F8001	H4760E8001	H4752F8001	H4947H8001	H4732B8001	H4733B8001
1/4 (6. 4mm)	H4917B8001	H4737F8001	H4757E8001	H4739F8001	H4944H8001	H4732B8001	H4733B8001
5/16 (8mm)	H4940B8001	H4744F8001	H4761E8001	H4753F8001	H4948H8001	H4746B8001	H4733B8001
3/8 (9. 5mm)	H4941B8001	H4745F8001	H4762E8001	H4754F8001	H4949H8001	H4746B8001	H4733B8001
1/2 (12. 7mm)	H4942B8001	H4746F8001	H4763E8001	H4755F8001	H4950H8001	H4747B8001	H4733B8001
5/8 (16mm)	H4943B8001	H4747F8001	H4764E8001	H4756F8001	H4951H8001	H4747B8001	H4733B8001
3/4 (19mm)	H4944B8001	H4748F8001	H4765E8001	H4757F8001	H4952H8001	H4748B8001	H4750B8001
1 (25. 4mm)	H4945B8001	H4749F8001	H4766E8001	H4758F8001	H4953H8001	H4749B8001	H4750B8001
GF-130-443 H							
	H4814B8001	H4807F8001	H3100G2110		H4807H8001	H4812B8001	H4813B8001
GF-130-446 H							
	H5014B8001	H4807F8001	H3100G2110		H5004H8001	H4812B8001	H4813B8001

www.garudan.cz